



微型永磁无刷齿轮减速电机

DC BRUSHLESS GEAR MOTOR

中大力德 实现自动化应用的无限可能

电机驱动 微特电机 精密减速器



▲ 总公司 宁波中大力德智能传动股份有限公司



▲ 子公司 宁波中大创远精密设备有限公司



▲ 子公司 佛山中大力德驱动科技有限公司

宁波中大力德智能传动股份有限公司始创于1998年，是一家集电机驱动、微特电机、精密减速器、机器人结构本体及一体化智能执行单元的研发、制造、销售、服务于一体的国家高新技术企业。公司注册资本15117万元，分、子公司9家，员工1800余人，2017年8月在深交所主板上市，股票代码：002896。

公司系国家级高新技术企业，主导和参与起草国家标准12项，行业标准5项；授权专利107项，其中发明专利14项。拥有机械工业精密齿轮减速电机工程研究中心、浙江省级高新技术企业研究开发中心、浙江省级企业技术中心。

公司立足于智能化、自动化装备核心零部件设计和制造，为客户提供智能驱动解决方案。公司产品以其差异化和高性价比优势，广泛应用于工作母机、数控设备、工业机器人、智能物流、新能源、食品、包装、纺织、电子、医疗、通讯、农牧等机械装备领域。在替代进口产品的基础上，逐步参与国际竞争。

Ningbo Zhongda Leader Intelligent Transmission Co., Ltd. was founded in 1998. It is an electromechanical automation enterprise integrating R&D, manufacturing, sales and service of motor drives, micro motors, precision reducers and integrated products. It has 9 branches and subsidiaries, over 1,800 employees, and a registered capital of 151.17 million yuan. In August 2017, it was listed on the A-shares of the Shenzhen Stock Exchange (stock code 002896).

The company is a national-level high-tech enterprise, leading and participating in the drafting of 10 national standards and 5 industry standards, maintaining 107 patents and 11 invention patents. It's owning a Zhejiang-level enterprise R&D center.

The company is based on intelligent and automation equipment core component manufacturers and design solution providers. With its differentiated and cost-effective advantages, the company's products are widely used in industrial robots, intelligent logistics, new energy, machine tools and other fields, as well as special machinery and equipment for food, packaging, textiles, electronics, and medical treatment. On the basis of realizing domestic substitution of imported products, gradually participate in international competition.

微型永磁无刷齿轮减速电机 DC BRUSHLESS GEAR MOTOR

轻松、简单，实现速度控制。
Easy and simple to achieve speed control.

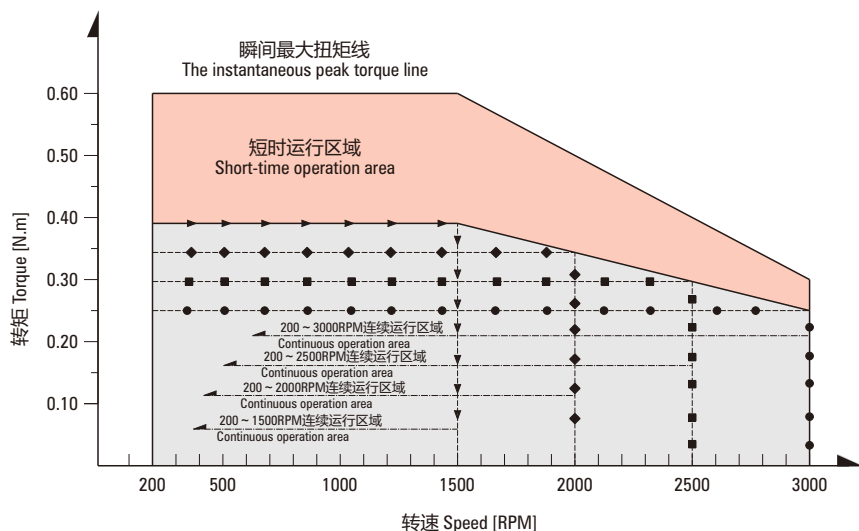


● 控制器
Controller

● 永磁无刷平行轴减速电机
DC brushless parallel shaft gearmotor

● L型永磁无刷减速电机
L type brushless DC gearmotor

永磁无刷电机特性曲线说明 Description of brushless DC motor characteristic curve



- **瞬时最大扭矩线：**电机启动、瞬间冲击负载的最大扭矩；超越此转矩值时，会引起驱动器的过流保护，造成停机；
- **短时运行区：**电机不同转速时，可在此力矩区间内短时运行，时间过长易引起电机发热，从而造成烧机或驱动过热保护启动，造成停机；
- **额定运行扭矩线：**电机在不同转速下的额定力矩，可在此力矩下长时间运行；
- **连续运转区：**在不同转速时，电机在此相应区间内连续运行。
- **The instantaneous maximum torque line:** The maximum torque during motor start-up and instantaneous impact load; exceeding this torque value will cause the driver's overcurrent protection to trip, resulting in a shutdown.
- **Short-time operation area:** When the motor at different speed, it can operate in a short time during this torque range. but after a long time it can cause heating of the motor, resulting motor break or drive overheat protection start, cause stopping working.
- **Rated operation torque line:** At different speeds, the motor can run for a long time.
- **In continuous operation area:** At different speed, the motor can operate.

产品特点 PRODUCT FEATURES

■ 无刷电机的基本特点 The characteristics of brushless motor

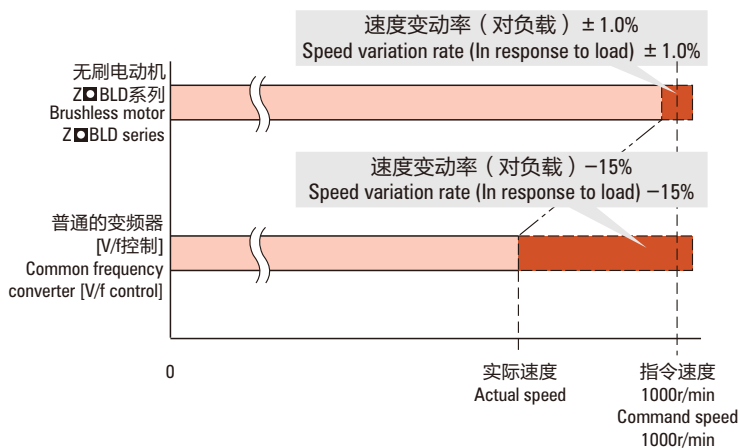
无刷电机上，无需使用通常被认为是DC电动机缺点的刷子和整流子等机械触点，DC电动机使用刷子和整流子进行旋转，因此需要定期进行维护；而无刷电动机使用霍尔IC检测到的信号，利用驱动电路的晶体管的ON/OFF进行旋转，因此无需维护。

About brushless motors, there is no need to use mechanical contacts such as brushes and commutators, which are commonly considered drawbacks of DC motors. DC motors use brushes and commutators to rotate, thus requiring regular maintenance. In contrast, brushless motors utilize signals detected by Hall ICs and rotate by the ON/OFF of transistors in the drive circuit, eliminating the need for maintenance.

■ 可进行稳定的速度控制 Stable speed control

无刷电动机持续对设定速度和来自电动机的速度反馈信号进行对比，来调节施加到电动机上的电压；因此，即使负载状况发生变化，仍可以从低速瞬间调整到设定速度，并以此稳定的速度运行。使用变频器的三相感应电动机不进行反馈控制，因此负载变大时，速度会大幅下降；对于速度稳定性要求较高的用途，建议使用无刷电动机。

Brushless motors continuously compare the set speed with the speed feedback signal from the motor to adjust the voltage applied to the motor. Therefore, even if the load condition changes, they can instantly adjust from low speed to the set speed and operate at this stable speed. Three-phase induction motors controlled by a frequency converter do not perform feedback control, so when the load increases, the speed will drop significantly. For applications that require high speed stability it is recommended to use brushless motors.



■ 宽广的速度控制范围 Wide speed control range

无刷电动机的速度控制范围比AC调速电动机及变频器更广，由于不像AC调速电动机那样在低速时有使用转矩限制，因此，无刷电动机适用于从低速到高速都需要一定转矩的用途。

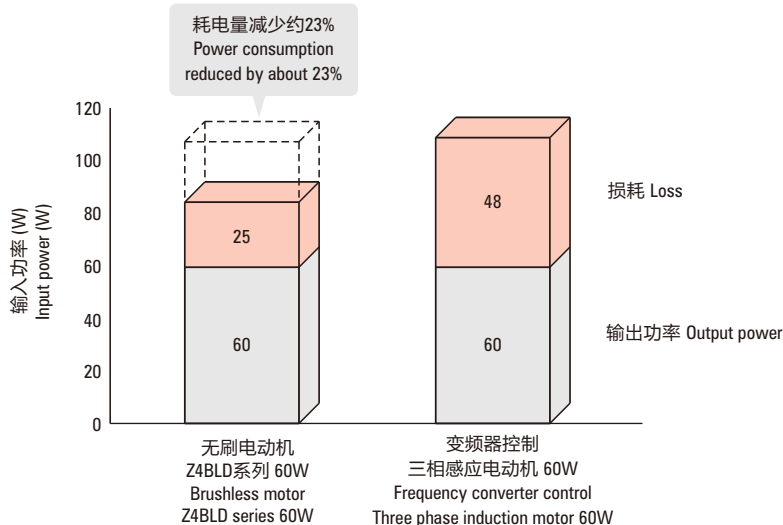
Brushless motors have a wider speed control range compared to AC adjustable-speed motors and frequency converters. Since they do not have torque limitations at low speeds as seen with AC adjustable-speed motors, brushless motors are suitable for applications that require a certain amount of torque from low speeds to high speeds.

产品样式 Product style	速度控制范围 Speed control range	速度比 Rate ratio
无刷电动机 Brushless motor	80~3000	50
变频器控制 三相感应电动机 Frequency converter control Three phase induction motor	200~2400	12
AC调速电动机 AC adjustable-speed motors	50Hz: 90~1400	15
	60Hz: 90~1600	17

■ 有助于节能 Saving energy

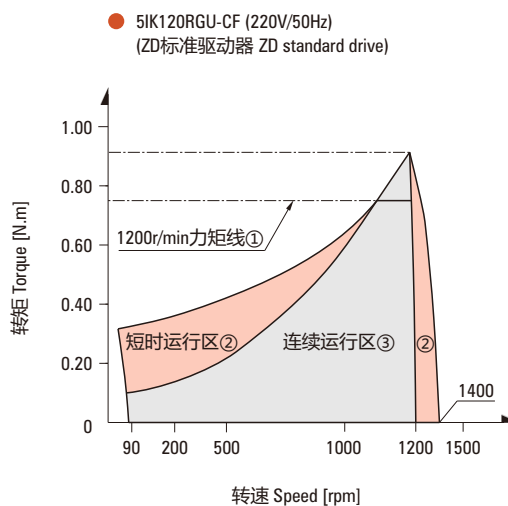
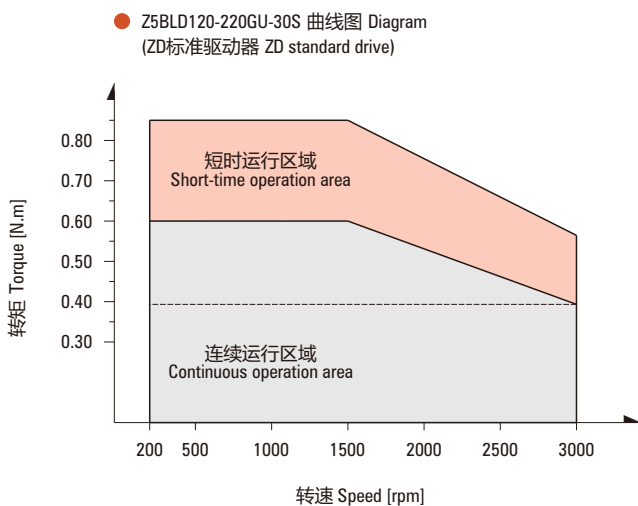
无刷电动机的转子使用了永磁铁，可减少转子的二次损耗，因此与采用变频控制的三相感应电动机相比，耗电量减少约23%，有助于装置的节能。

The rotor of the brushless motor utilizes permanent magnets, which can reduce secondary losses of the rotor. Therefore, compared to three-phase induction motors controlled by frequency conversion, brushless motors consume about 23% less power, contributing to energy savings in devices.



■ 低速大力矩性能 Low speed and high torque performance

永磁无刷减速电机低速时可维持大力矩连续运行，且运行平稳。DC brushless motor have a steady big torque when running at low speed.



①1200r/min torque line ②Short-time operating area ③Continuous operation area

● 无刷、交流调速且连续运行性能一览表 Working performance table of brushless motor and ac speed adjustable motor

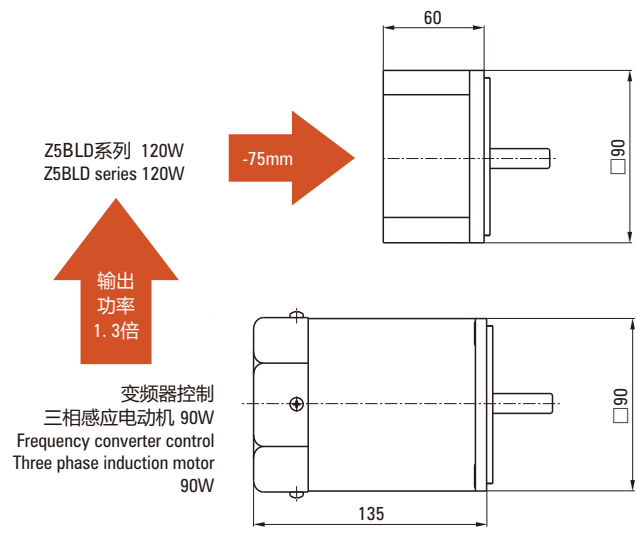
序号 No.	Z5BLD120-220GU-25S					5K120RGU-CF				
	力矩 Torque N.m	转速 Speed rpm	电流 Current A	效率 Efficiency %	温升 Temperature rise K	力矩 Torque N.m	转速 Speed rpm	电流 Current A	效率 Efficiency %	温升 Temperature rise K
1	0.595	200	0.485	26.5	≤50K	0.010	200	0.850	3.00	≤80K
2	0.595	500	0.671	47.5	≤50K	0.150	500	1.070	8.00	≤80K
3	0.595	1000	0.966	62.0	≤40K	0.500	1000	1.186	32.5	≤80K
4	0.595	1500	1.200	69.0	≤40K	0.915	1400	0.981	60.0	≤55K

环境温度 -10°C ~ +40°C 下使用 Ambient temperature -10°C ~ +40°C

■ 薄型、大功率 Thin, high power

无刷电动机的转子使用永磁体，因此实现了薄型和大功率；比如，与安装尺寸90的三相感应电动机相比总长缩短>75mm，输出功率达到1.3倍。若采用无刷电动机，有助于实现装置的小型化。

Brushless DC motors have a slim body and provide high power due to permanent magnets being used in the rotor. For example, the overall length is 75mm shorter and the output power is 1.3 times higher than that of three-phase induction motors with a frame size of 90mm. Using brushless DC motors can contribute to downsizing and space saving.



■ 搭载保护功能，有助于保护设备系统的安全 Protection function, help to protect the safety of the equipment system

由于加载了过流、欠压、缺相等保护功能，因此可保证设备系统运行时的安全。

Due to the load of the overcurrent, undervoltage, open phase protection, Our motor and driver can ensure the safety of equipment system.

■ 电机的一般规格——转速 Motor spec——Speed

电机轴转速 Motor speed	减速比 Reduction ratio	出轴转速 Output shaft speed											
		3	3.6	5	6	7.5	9	10	12.5	15	18	20	25
200~1500RPM		67~500	56~417	40~300	33~250	27~200	22~167	20~150	16~120	13~100	11~83	10~75	8~60
2000RPM		667	556	400	334	267	222	200	160	133	111	100	80
2500RPM		833	694	500	417	333	278	250	200	167	139	125	100
3000RPM		1000	833	600	500	400	333	300	240	200	167	150	120

电机轴转速 Motor speed	减速比 Reduction ratio	出轴转速 Output shaft speed											
		30	36	50	60	75	90	100	120	150	180	200	
200~1500RPM		7~50	6~42	4~30	3~25	3~20	2~17	2~15	2~12.5	1.5~10	1~8	1~7.5	
2000RPM		67	56	40	33	27	22	20	17	13	11	10	
2500RPM		83	69	50	42	33	28	25	21	17	14	13	
3000RPM		100	83	60	50	40	33	30	25	20	17	15	

■ 电机的一般规格——产品种类 Motor spec——Product type

电动机 Motor	方形尺寸 Square size	输出功率 Output power	机型 Model	驱动器 Driver	电源电压 Voltage supply
	60X60	15、25	标准型 Standard type IP40 或 or IP54		DC24~48 单相 Single phase 100~120V 单相 Single phase 220~240V
	70X70	30、40			
	80X80	40、60			
	90X90 (GN)	40、60			
	90X90 (GU)	60、90、120			
	104X104	200、400			
	120X120	750、1000			

电机的一般规格——基本性能 Motor spec——Basic performance

项目		电动机	驱动器
绝缘电阻 (不得将电机与驱动连接状态下测试)		在常温常湿环境下连续运行后, 以DC500V电阻表测试电动机线圈与外壳之间的测量值应在50MΩ以上	在常温常湿环境下连续运行后, 电源端子与保护接地端子间、电源端子与输入/输出信号端之间的电阻值以DC500V电阻表测量达50MΩ以上
绝缘耐压 (不得将电机与驱动连接状态下测试)		在常温常湿环境下连续运行后, 线圈、外壳间以50Hz、AC1.5kV施加1分钟无异常, 泄漏电流 <10mA	在常温常湿环境下连续运行后, 电源端子与保护接地端子间以50Hz、AC1.5kV, 电源端子与输入/输出信号端之间以50Hz、AC1.5kV施加1分钟无异常
温度上升		在常温常湿环境下连续运行后, 以热电偶法测量的线圈温度上升值在55°C以下、测量外壳表面温度上升值在40°C以下①	在常温常湿环境下连续运行后, 以热电偶法测量的铝质散热板温度上升值在50°C以下
使用环境	环境温度	-10°C ~ +40°C (无结冰)	
	环境湿度	85%以下 (无凝霜)	
	海拔高度	1000m以下	
	介质环境	无腐蚀性气体、尘埃; 不可在含有放射性物质、磁场及真空等特殊环境中使用	
保存环境②	振动	不可施加连续振动或过度冲击	
	环境温度	-10°C ~ +40°C (无结冰)	
	环境湿度	85%以下 (无凝霜)	
耐热等级	B级	/	
保护等级	IP40 & IP54	IP20	

①为了使电动机外壳表面温度能保持在90°C以下, 需将电动机安装在以下尺寸的散热板 (材质: 铝) 上; 25W: 115X115X厚度5、60W: 135X135X厚度5、120W: 165X165X厚度5、200W: 200X200X厚度5。(单位: mm)

②保护环境也包括运输途中的短期值。

Item	Motor	Driver	
Insulation Resistance (Do not test when the motor is connected to the drive.)	In a constant temperature and humidity environment, after continuous operation, the measured value between the motor winding and the casing using a DC 500V ohmmeter should be above 50MΩ.	After continuous operation in a constant temperature and humidity environment, the resistance between the power terminals and the protective ground terminals, as well as between the power terminals and the input/output signal terminals, should be measured to be above 50MΩ using a DC 500V ohmmeter.	
Dielectric Withstand Voltage (Testing is not allowed with the motor connected to the drive.)	After continuous operation in a constant temperature and humidity environment, applying a 50Hz AC voltage of 1.5kV between the winding and the casing for 1 minute should result in no abnormalities, with a leakage current of less than 10mA.	After continuous operation in a constant temperature and humidity environment, no abnormalities should occur when a 50Hz AC voltage of 1.5kV is applied for 1 minute between the power terminals and the protective ground terminals, as well as between the power terminals and the input/output signal terminals.	
Temperature rise	After continuous operation in a constant temperature and humidity environment, the temperature rise of the winding measured by the thermocouple method should be below 55°C, and the temperature rise of the outer shell surface should be below 40°C.	After continuous operation in a constant temperature and humidity environment, the temperature rise of the aluminum heat sink measured by the thermocouple method should be below 50°C.	
Operating Environment	Ambient Temperature	-10°C ~ +40°C (Icing-Free)	
	Humidity	Below 85% (Frost-Free)	
	Altitude	Below 1000m	
	Medium Environment	Free from corrosive gases and dust; not to be used in special environments containing radioactive materials, magnetic fields, and vacuum	
Storage Environment②	Vibration	Continuous vibration or excessive shock should not be applied	
	Ambient Temperature	-10°C ~ +40°C (Icing-Free)	
	Humidity	85% or less (Frost-Free)	
	Altitude	Below 1000m	
Thermal Class	Class B	/	
Protection level	IP40 & IP54	IP20	

① To maintain the surface temperature of the electric motor casing below 90°C, the motor should be mounted on a heat sink (material: aluminum) of the following dimensions; for a 25W motor: 115mm x 115mm x 5mm thickness, for a 60W motor: 135mm x 135mm x 5mm thickness, for a 120W motor: 165mm x 165mm x 5mm thickness, and for a 200W motor: 200mm x 200mm x 5mm thickness. (Unit: mm)

② The storage condition applies to a short period such as a period during transportation.

型号阅读方法 PRODUCT CODE

电动机 Motor

Z 5 BLD 90 - 220 GN(L) - 30S - M
 ① ② ③ ④ ⑤ ⑥ ⑦ ⑧

①	公司名称 Company	中大电机 ZD MOTOR					
②	型号尺寸 Model & Dimension						
	座机号 Frame code	2	3	4	5	6	7
	电机安装法兰 Mounting flange mm	□60	□70	□80	□90	□104	□120
	机壳尺寸 Housing dimension	60*60	70*70	80*80	90*90	104*104	120*120
③	电机种类 Motor type	BLD: 永磁无刷电机 BLD: DC Brushless gear motor					
④	输出功率 (W) Output power (W)	(例.e.g) 90: 90W					
⑤	电源电压 Voltage	(例.e.g) 24: 24VDC (可选电压24V~48VDC, 单相100V~120VAC, 单相220V~240VAC, 50/60Hz) 24: 24VDC (Optional voltage 24V~48VDC, single phase 100V~120VAC, single phase 220V~240VAC, 50/60Hz)					
⑥	相对于方型减速箱 Relative to square type gear box:						
	齿轴形状 Motor shaft type	GN: GN型齿轮轴 GN type gear shaft GU: GU型齿轮轴 GU type gear shaft					
	相对于L型减速箱 L type gearbox:						
	齿轴形状 Shaft shape	GNL: GN型L系列齿轮轴 (主要为2&4系列) Type L GN series gear shaft (Mainly for 2&4 series) GUL: GU型L系列齿轮轴 (主要为5&6系列) Type L GU series gear shaft (Mainly for 5&6 series)					
	光电出轴形状 Shaft type for only motor:						
	A: 圆轴型 Round shaft type	A1: 键槽型 Keyway type					
⑦	电机转速 Motor speed						
⑧	电机附加配件 M: 电磁刹车器 BM: 闭环反馈方式, 一般指电机增加编码器 (包括简易型霍尔编码器) Motor parts M: Electromagnetic brake BM: Closed loop feedback mode, generally refers to the motor to increase the encoder (Including the simple holzer encoder)						

方型减速器 Square shape gearbox

5 GN 50 K
 ① ② ③ ④

①	减速机安装尺寸 Gearhead frame size	2: 60mm 3: 70mm 4: 80mm 5: 90mm 6: 104mm 7: 120mm					
②	类型 Gear type	GN: GN型齿轮 GN type gear GU: GU型齿轮轴 GU type gear					
③	减速比 Gear ratio	(例.e.g) 50: 减速比 50: Reduction ratio					
④	轴承种类 Bearing type	K: 滚珠轴承 (对GU型方箱体标注为KB) K: Ball bearing (On the GU type square box marked as KB)					

L型减速器 L type gearbox

5 GU 50 LC
 ① ② ③ ④

①	减速机安装尺寸 Gearhead frame size	2: 60mm 3: 70mm 4: 80mm 5: 90mm 6: 104mm 7: 120mm					
②	类型 Gear type	GN: GN型齿轮轴 (针对L系列2&4) Type GN gear shaft (For L series 2&4) GU: GU型齿轮轴 (针对L系列5&6) Type GU gear shaft (For L series 5&6)					
③	减速比 Gear ratio	(例.e.g) 50: 减速比 50: Reduction ratio					
④	减速箱类型 Bearing type	LC: L型空心轴输出减速器 L type hollow shaft output reducer RC: 弧锥齿空心轴输出 Hollow shaft output of spiral bevel gear RT: 弧锥齿实心轴输出 Solid shaft output of spiral bevel gear					

60系列永磁无刷齿轮减速电机

60 SERIES OF BRUSHLESS DC MOTOR

电机基本特性 Basic characteristics of motor

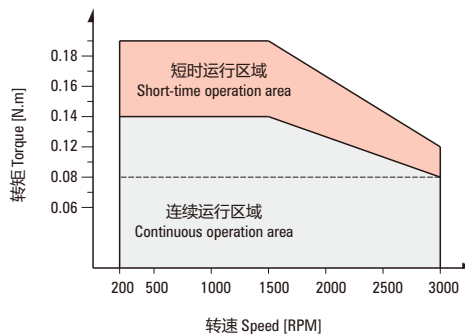
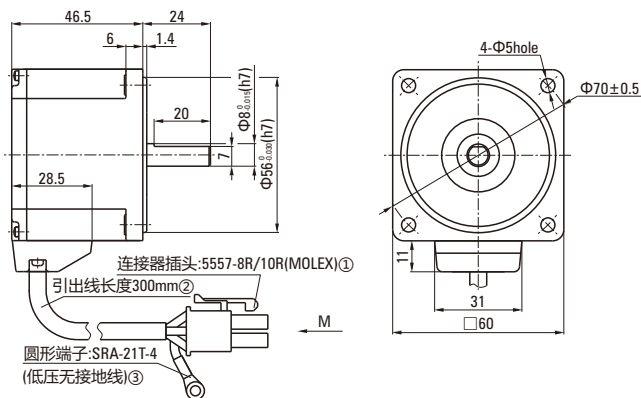
● 25W (DC电源时适用于24VDC/36VDC/48VDC) 25W (DC power supply is suitable for 24VDC/36VDC/48VDC)

额定功率(连续) Rated power (Continuous)	W	25 (15W/25W)			
额定转速 Rated speed	r/min	3000			
额定转矩 Rated torque	N.m	0.08			
瞬时最大转矩 Instantaneous maximum torque	N.m	0.12			
转子转动惯量 Rotor moment of inertia	J: X10 ⁻⁴ kg.m ²	0.042			
速度控制范围 Speed control range	RPM	200~3000			
速率变化率 Speed control range	对负载 On load	±1.0%以下: 条件0~额定转矩、额定转速、额定电压、常温 Below ±1%: Condition 0~rated torque, rated speed, rated voltage, room temperature			
	对电压 On voltage	±1.0%以下: 条件额定电压±10%、额定转速、额定负载、常温 Below ±1%: Condition rated voltage ±10%, rated speed, rated load, room temperature			
	对温度 On temperature	±1.0%以下: 条件使用环境温度-10°C~+40°C额定转速、额定负载、额定电压 Below ±1%: Conditions of ambient temperature -10°C~+40°C rated voltage, rated load and rated speed			
电源输入 Power input	额定电压 Rated voltage	V	单相 Single phase 110V	单相 Single phase 220V	24VDC (可选Optional 36VDC/48VDC)
	电压容许范围 Voltage tolerance range		±10%		
	频率 Frequency	Hz	50/60	/	
	频率容许范围 Frequency tolerance range		±5%		
	额定输入电流 Rated input current	A	1.0	0.6	1.7
	瞬时最大输入电流 Instantaneous maximum input current	A	2.0	1.2	2.6

圆轴型光电机 Round shaft type only motor

● Z2BLD25-□A-30S □—电压 Voltage 24/36/48/110/220

● Z2BLD25-220A-30S 曲线图 Diagram (ZD标准驱动器 ZD standard drive)



①Connector: 5557-8R/10R (MOLEX) ②The length of lead line 300mm ③Round terminal: SRA-21T-4 (No ground for low voltage)

● 低压电机接线插孔对应信号说明

Low voltage wire plughole corresponding signal explanation



● 高压电机接线插孔对应信号说明

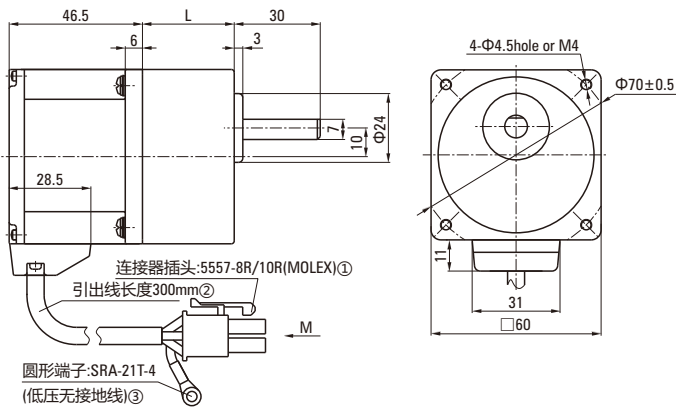
High voltage wire plughole corresponding signal explanation



25W

● 平行轴减速机 Parallel shaft gearbox

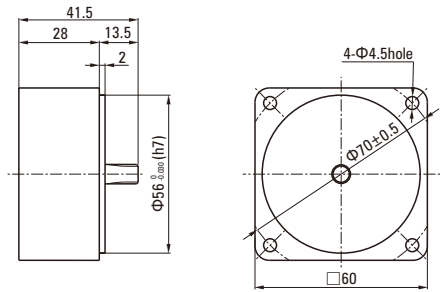
Z2BLD25-□GN-30S/2GN□K □—电压 Voltage 24/36/48/110/220
□—速比数值 Reduction ratio



①Connector: 5557-8R/10R (MOLEX) ②The length of lead line 300mm ③Round terminal: SRA-21T-4 (No ground for low voltage)

● 中间减速器 Decimal gearbox

2GN□K □—速比数值, 一般为10 Velocity ratio value, generally 10



减速器型号 Gearhead model	减速比 Gear ratio	L尺寸 Dimension
2GN□K	3~18	32&41
	20~200	41

●减速器型号的□中为减速比的数值
□ means gear ratio

● Z2BLD15-□GN-30S/2GN□K整机容许力矩 (单位: N.m) Z2BLD15-□GN-30S/2GN□K gearmotor allowable torque (Unit: N.m)

型号 Model	电机轴转速 Motor speed	减速比 Reduction ratio																							
		3	3.6	5	6	7.5	9	10	12.5	15	18	20	25	30	36	50	60	75	90	100	120	150	180	200	
Z2BLD15-□GN	200~1500RPM	0.18	0.22	0.30	0.36	0.45	0.54	0.60	0.75	0.91	1.08	1.09	1.36	1.63	1.96	2.72	3.00	3.00	3.00	3.00	3.00	3.00	3.00	3.00	3.00
	2000RPM	0.15	0.18	0.26	0.31	0.38	0.45	0.51	0.64	0.77	0.92	0.92	1.15	1.38	2.30	2.50	3.00	3.00	3.00	3.00	3.00	3.00	3.00	3.00	3.00
	2500RPM	0.14	0.17	0.23	0.28	0.35	0.42	0.46	0.58	0.70	0.84	0.84	1.05	1.25	1.51	2.09	2.27	2.83	3.00	3.00	3.00	3.00	3.00	3.00	3.00
	3000RPM	0.12	0.14	0.19	0.23	0.29	0.35	0.39	0.48	0.58	0.70	0.70	0.87	1.05	1.25	1.74	1.88	2.35	2.82	3.00	3.00	3.00	3.00	3.00	3.00

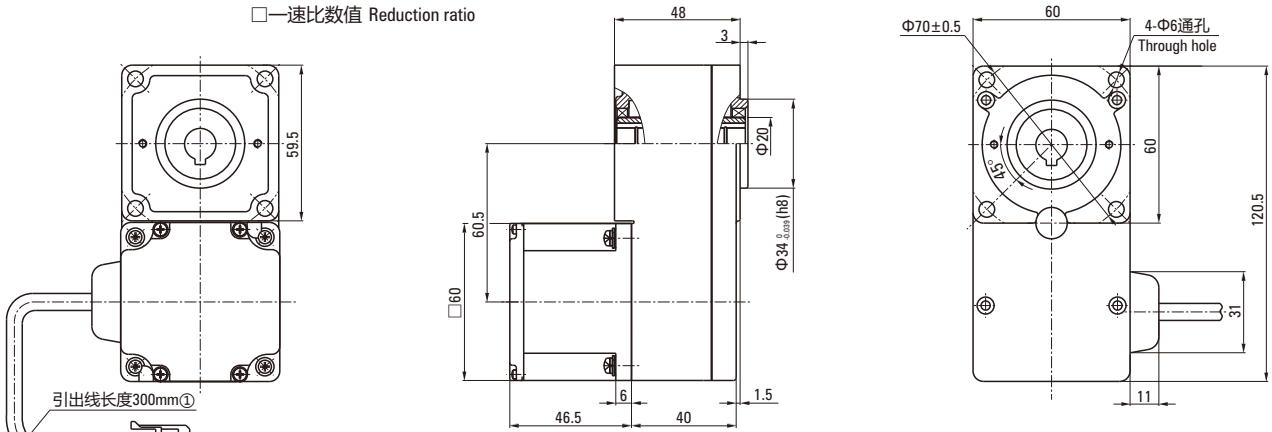
● Z2BLD25-□GN-30S/2GN□K整机容许力矩 (单位: N.m) Z2BLD25-□GN-30S/2GN□K gearmotor allowable torque (Unit: N.m)

型号 Model	电机轴转速 Motor speed	减速比 Reduction ratio																							
		3	3.6	5	6	7.5	9	10	12.5	15	18	20	25	30	36	50	60	75	90	100	120	150	180	200	
Z2BLD25-□GN	200~1500RPM	0.30	0.36	0.50	0.60	0.75	0.91	1.00	1.26	1.51	1.81	1.81	2.27	2.72	3.00	3.00	3.00	3.00	3.00	3.00	3.00	3.00	3.00	3.00	3.00
	2000RPM	0.26	0.31	0.43	0.51	0.64	0.77	0.85	1.06	1.28	1.53	1.53	1.92	2.30	2.76	3.00	3.00	3.00	3.00	3.00	3.00	3.00	3.00	3.00	3.00
	2500RPM	0.23	0.28	0.39	0.46	0.58	0.69	0.77	0.97	1.16	1.39	1.39	1.74	2.09	2.51	3.00	3.00	3.00	3.00	3.00	3.00	3.00	3.00	3.00	3.00
	3000RPM	0.19	0.23	0.32	0.39	0.48	0.58	0.64	0.81	0.97	1.16	1.16	1.45	1.74	2.09	2.90	3.00	3.00	3.00	3.00	3.00	3.00	3.00	3.00	3.00

注Note: 表格中的□ (灰底部分) 表示旋转方向与电机转向一致。The □ (Grey background area) in the table indicates that the rotation direction is same as the motor (不同转速及速比下的力矩为ZD标准驱动器下测试所得。The torque under different speed and speed ratio is obtained under the ZD standard.)

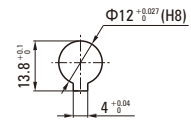
● L型减速机 L type gearbox

Z2BLD25-□GNL-30S/2GN□LC □—电压 Voltage 24/36/48/110/220
□—速比数值 Reduction ratio



①Lead wire length 300mm ②Connector: 5557-8R/10R (MOLEX)
③Round terminal: SRA-21T-4 (No ground for low voltage)

● 输出轴内孔结构 The output shaft hole structure



● Z2BLD15-□GNL-30S/2GN□LC整机电容许力矩 (单位: N.m) Z2BLD15-□GNL-30S/2GN□LC gearmotor allowable torque (Unit: N.m)

电机轴转速 Motor Speed	5	10	15	20	30	50	100	200
200~1500RPM	0.27	0.54	0.82	1.09	1.63	2.72	5.44	10.9
2000RPM	0.23	0.46	0.69	0.92	1.38	2.30	4.60	9.20
2500RPM	0.21	0.42	0.63	0.84	1.25	2.09	4.18	8.37
3000RPM	0.17	0.35	0.52	0.70	1.05	1.74	3.49	6.97

注Note: 表格中的所有速比旋转方向与电机转向相反。All gearbox output turn direction in form are opposite motor turn direction.
(不同转速及速比下的力矩为ZD标准驱动器下测试所得。The torque under different speed and speed ratio is obtained under the ZD standard.)

● Z2BLD25-□GNL-30S/2GN□LC整机电容许力矩 (单位: N.m) Z2BLD25-□GNL-30S/2GN□LC gearmotor allowable torque (Unit: N.m)

电机轴转速 Motor Speed	5	10	15	20	30	50	100	200
200~1500RPM	0.50	1.00	1.51	2.01	2.72	4.53	9.06	16.40
2000RPM	0.43	0.85	1.28	1.70	2.30	3.83	7.67	13.90
2500RPM	0.39	0.77	1.16	1.55	2.09	3.49	6.97	12.60
3000RPM	0.29	0.58	0.87	1.16	1.74	2.90	5.81	11.62

注Note: 表格中的所有速比旋转方向与电机转向相反。All gearbox output turn direction in form are opposite motor turn direction.
(不同转速及速比下的力矩为ZD标准驱动器下测试所得。The torque under different speed and speed ratio is obtained under the ZD standard.)

70系列永磁无刷齿轮减速电机

70 SERIES OF BRUSHLESS DC MOTOR

电机基本特性 Basic characteristics of motor

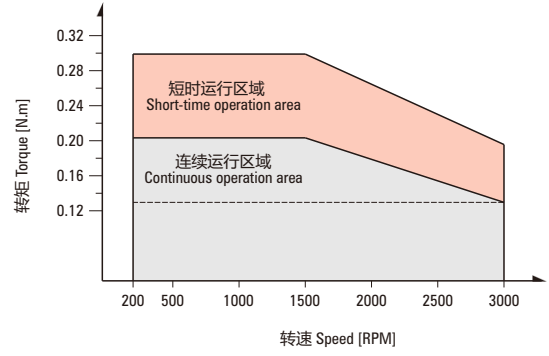
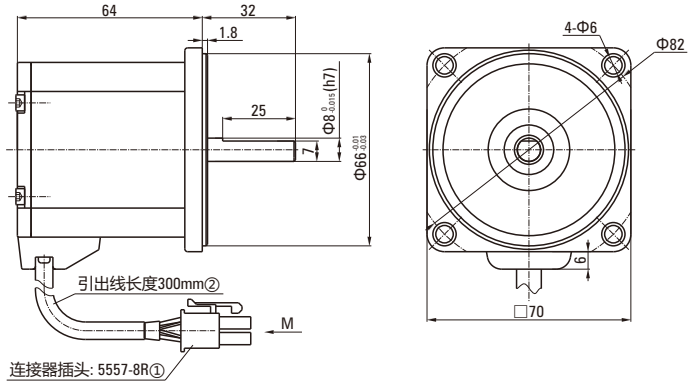
● 40W (DC电源时适用于24VDC/36VDC/48VDC) 40W (DC power supply is suitable for 24VDC/36VDC/48VDC)

额定功率(连续) Rated power (Continuous)	W	40 (40W)			
额定转速 Rated speed	r/min	3000			
额定转矩 Rated torque	N.m	0.127			
瞬时最大转矩 Instantaneous maximum torque	N.m	0.191			
转子转动惯量 Rotor moment of inertia	J: X10 ⁻⁴ kg.m ²	0.082			
速度控制范围 Speed control range	RPM	200~3000			
速率变化率 Speed control range	对负载 On load	±1.0%以下: 条件0~额定转矩、额定转速、额定电压、常温 Below ±1%: Condition 0~rated torque, rated speed, rated voltage, room temperature			
	对电压 On voltage	±1.0%以下: 条件额定电压±10%、额定转速、额定负载、常温 Below ±1%: Condition rated voltage ±10%, rated speed, rated load, room temperature			
	对温度 On temperature	±1.0%以下: 条件使用环境温度-10°C~+40°C额定转速、额定负载、额定电压 Below ±1%: Conditions of ambient temperature -10°C~+40°C rated voltage, rated load and rated speed			
电源输入 Power input	额定电压 Rated voltage	V	24VDC (可选Optional 36VDC/48VDC)		
	电压容许范围 Voltage tolerance range		±10%		
	频率 Frequency	Hz	50/60	/	
	频率容许范围 Frequency tolerance range		±5%		
	额定输入电流 Rated input current	A	1.7	1.0	3.7
	瞬时最大输入电流 Instantaneous maximum input current	A	3.3	1.9	5.6

圆轴型光电机 Round shaft type only motor

● Z3BLD40-□A-30S □—电压 Voltage 24/36/48

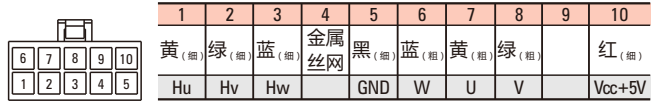
● Z3BLD40-220A-30S 曲线图 Diagram (ZD标准驱动器 ZD standard drive)



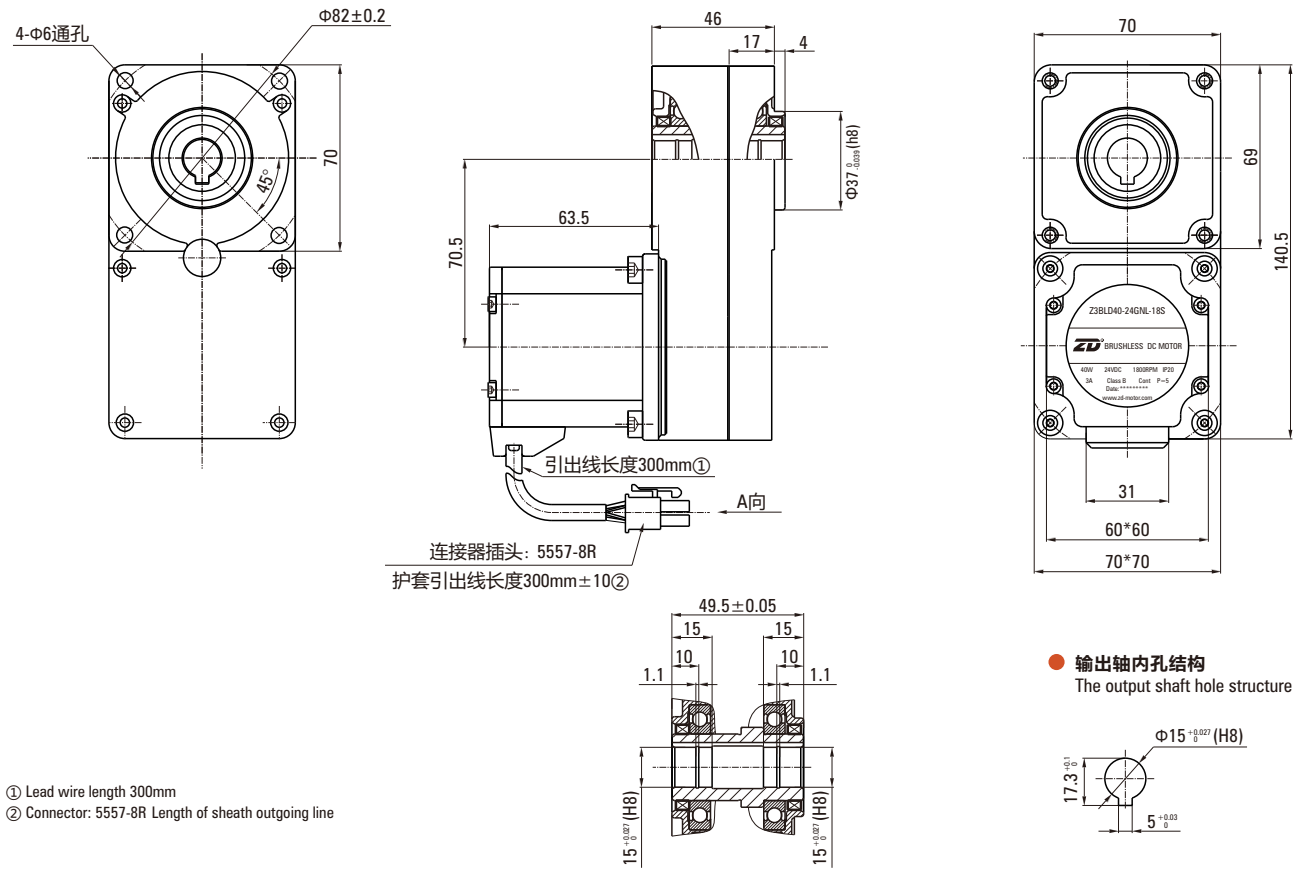
①Connector: 5557-8R ②The length of lead line 300mm

● 低压电机接线插孔对应信号说明
Low voltage wire plughole corresponding signal explanation

● 高压电机接线插孔对应信号说明
High voltage wire plughole corresponding signal explanation

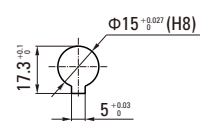


- L型减速机 L type gearbox
Z3BLD40-GNL-30S/3GNLC —电压 Voltage 24/36/48 —速比数值 Reduction ratio



- ① Lead wire length 300mm
- ② Connector: 5557-8R Length of sheath outgoing line

● 输出轴内孔结构
The output shaft hole structure



● Z3BLD40-24GNL-30S/3GNLC整机容许力矩 (单位: N.m) Z3BLD40-24GNL-30S/3GNLC gearmotor allowable torque (Unit: N.m)

电机轴转速 Motor speed	减速比 Reduction ratio	5	10	15	20	30	50	60	90	100
1800RPM		0.77	1.55	2.32	3.10	4.65	7.75	9.30	13.94	15.49
3000RPM		0.46	0.93	1.39	1.86	2.79	4.65	5.58	8.37	9.30

注Note: 表格中的所有速比旋转方向与电机转向相反。All gearbox output turn direction in form are opposite motor turn direction.
(不同转速及速比下的力矩为ZD标准驱动器下测试所得。The torque under different speed and speed ratio is obtained under the ZD standard.)

80系列永磁无刷齿轮减速电机

80 SERIES OF BRUSHLESS DC MOTOR

电机基本特性 Basic characteristics of motor

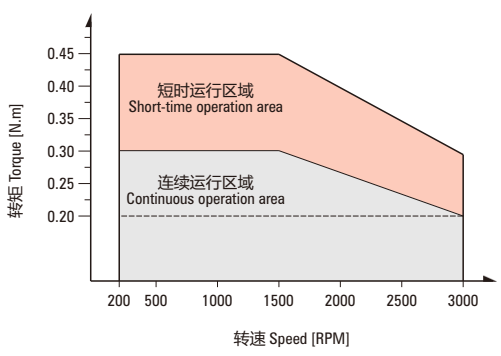
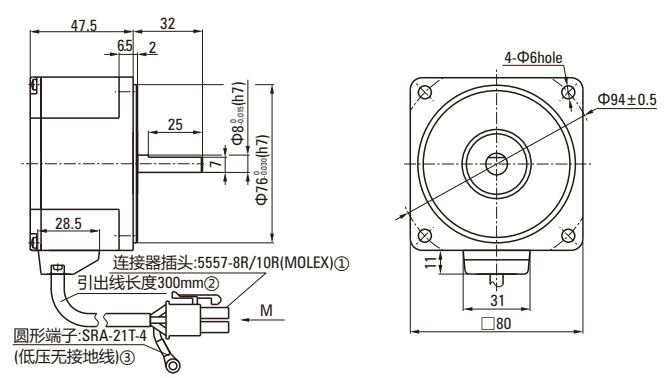
● 60W (DC电源时适用于24VDC/36VDC/48VDC) 60W (DC power supply is suitable for 24VDC/36VDC/48VDC)

额定功率(连续) Rated power (Continuous)	W	60 (40W/60W)			
额定转速 Rated speed	r/min	3000			
额定转矩 Rated torque	N.m	0.191			
瞬时最大转矩 Instantaneous maximum torque	N.m	0.287			
转子转动惯量 Rotor moment of inertia	J:×10 ⁻⁴ kg.m ²	0.082			
速度控制范围 Speed control range	RPM	200~3000			
速率变化率 Speed control range	对负载 On load	±1.0%以下: 条件0~额定转矩、额定转速、额定电压、常温 Below ±1%: Condition 0~rated torque, rated speed, rated voltage, room temperature			
	对电压 On voltage	±1.0%以下: 条件额定电压±10%、额定转速、额定负载、常温 Below ±1%: Condition rated voltage ±10%, rated speed, rated load, room temperature			
	对温度 On temperature	±1.0%以下: 条件使用环境温度-10°C~+40°C额定转速、额定负载、额定电压 Below ±1%: Conditions of ambient temperature -10°C~+40°C rated voltage, rated load and rated speed			
电源输入 Power input	额定电压 Rated voltage	V	单相 Single phase 110V	单相 Single phase 220V	24VDC (可选Optional 36VDC/48VDC)
	电压容许范围 Voltage tolerance range		±10%		
	频率 Frequency	Hz	50/60	/	
	频率容许范围 Frequency tolerance range		±5%		
	额定输入电流 Rated input current	A	1.7	1.0	3.7
	瞬时最大输入电流 Instantaneous maximum input current	A	3.3	1.9	5.6

圆轴型光电机 Round shaft type only motor

● Z4BLD60-□A-30S □—电压 Voltage 24/36/48/110/220

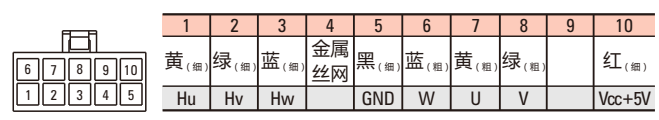
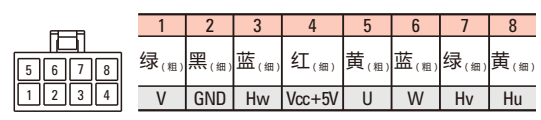
● Z4BLD60-220A-30S 曲线图 Diagram (ZD标准驱动器 ZD standard drive)



①Connector: 5557-8R/10R (MOLEX) ②The length of lead line 300mm ③Round terminal: SRA-21T-4 (No ground for low voltage)

● 低压电机接线插孔对应信号说明
Low voltage wire plughole corresponding signal explanation

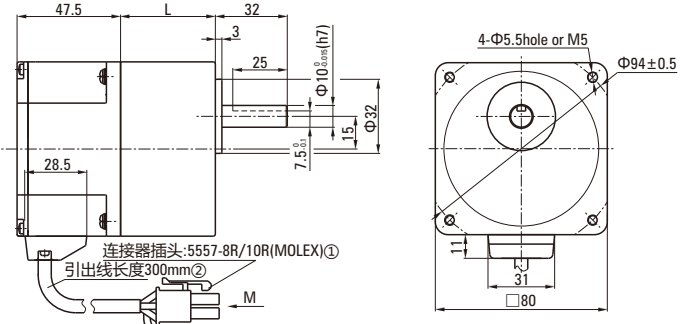
● 高压电机接线插孔对应信号说明
High voltage wire plughole corresponding signal explanation



60W

● 平行轴减速机 Parallel shaft gearbox

Z4BLD60-□GN-30S/4GN□K □—电压 Voltage 24/36/48/110/220
□—速比数值 Reduction ratio



连接器插头:5557-8R/10R(MOLEX)①
引出线长度300mm②
圆形端子:SRA-21T-4
(低压无接地线)③

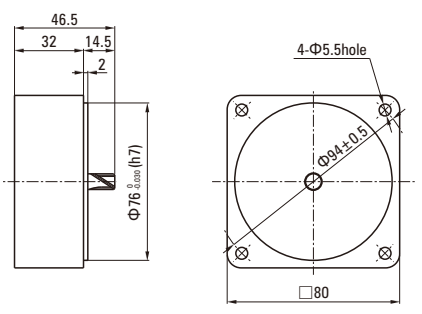
● 键·键槽 Key · Keyway



①Connector: 5557-8R/10R (MOLEX) ②The length of lead line 300mm ③Round terminal: SRA-21T-4 (No ground for low voltage)

● 中间减速器 Decimal gearbox

4GN□XK □—速比数值,一般为10 Velocity ratio value, generally 10



减速器型号 Gearhead model	减速比 Gear ratio	L尺寸 Dimension
4GN□K	3~18	32&43.5
	20~200	43.5

●减速器型号的□中为减速比的数值
□ means gear ratio

● Z4BLD40-□GN-30S/4GN□K整机容许力矩 (单位: N.m) Z4BLD40-□GN-30S/4GN□K gearmotor allowable torque (Unit: N.m)

型号 Model	电机轴转速 Motor speed	减速比 Reduction ratio																						
		3	3.6	5	6	7.5	9	10	12.5	15	18	20	25	30	36	50	60	75	90	100	120	150	180	200
Z4BLD40-□GN	200~1500RPM	0.48	0.58	0.80	0.97	1.21	1.45	1.61	2.01	2.41	2.90	2.90	3.63	4.35	5.22	7.25	7.87	8.00	8.00	8.00	8.00	8.00	8.00	8.00
	2000RPM	0.41	0.49	0.68	0.82	1.02	1.23	1.36	1.70	2.04	2.45	2.45	3.07	3.68	4.42	6.13	6.66	8.00	8.00	8.00	8.00	8.00	8.00	8.00
	2500RPM	0.37	0.45	0.62	0.74	0.93	1.11	1.24	1.55	1.86	2.23	2.23	2.79	3.35	4.02	5.58	6.05	7.56	8.00	8.00	8.00	8.00	8.00	8.00
	3000RPM	0.31	0.37	0.52	0.62	0.77	0.93	1.03	1.29	1.55	1.86	1.86	2.32	2.79	3.35	4.65	5.01	6.26	7.52	8.00	8.00	8.00	8.00	8.00

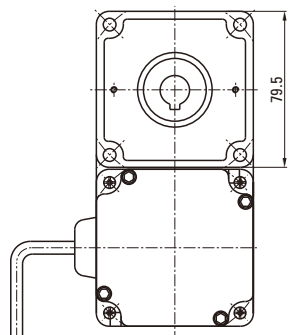
● Z4BLD60-□GN-30S/4GN□K整机容许力矩 (单位: N.m) Z4BLD60-□GN-30S/4GN□K gearmotor allowable torque (Unit: N.m)

型号 Model	电机轴转速 Motor speed	减速比 Reduction ratio																						
		3	3.6	5	6	7.5	9	10	12.5	15	18	20	25	30	36	50	60	75	90	100	120	150	180	200
Z4BLD60-□GN	200~1500RPM	0.72	0.87	1.21	1.45	1.81	2.17	2.41	3.02	3.62	4.34	4.35	5.44	6.53	7.83	8.00	8.00	8.00	8.00	8.00	8.00	8.00	8.00	8.00
	2000RPM	0.61	0.74	1.02	1.23	1.53	1.84	2.04	2.55	3.06	3.68	3.68	4.60	5.52	6.63	8.00	8.00	8.00	8.00	8.00	8.00	8.00	8.00	8.00
	2500RPM	0.56	0.67	0.93	1.11	1.39	1.67	1.86	2.32	2.78	3.34	3.35	4.18	5.02	6.02	8.00	8.00	8.00	8.00	8.00	8.00	8.00	8.00	8.00
	3000RPM	0.46	0.56	0.77	0.93	1.16	1.39	1.55	1.93	2.32	2.78	2.79	3.49	4.18	5.02	6.97	7.52	8.00	8.00	8.00	8.00	8.00	8.00	8.00

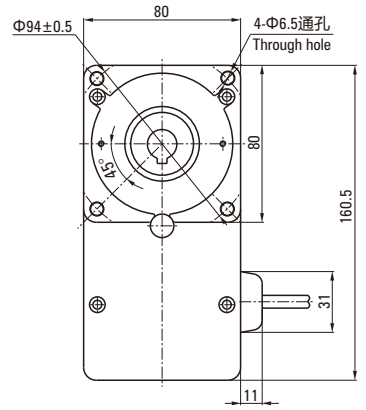
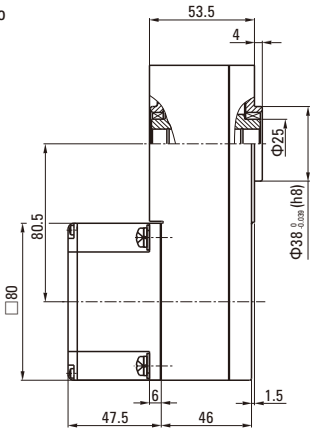
注Note: 表格中的□(灰底部分)表示旋转方向与电机转向一致。The □(Grey background area) in the table indicates that the rotation direction is same as the motor (不同转速及速比下的力矩为ZD标准驱动器下测试所得。The torque under different speed and speed ratio is obtained under the ZD standard.)

● L型减速机 L type speed reducer

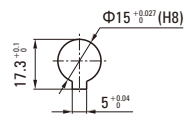
Z4BLD60-□GNL-30S/4GN□LC □—电压 Voltage 24/36/48/110/220
□—速比数值 Reduction ratio



引出线长度300mm①
连接器插头:5557-8R/10R(MOLEX)②
圆形端子:SRA-21T-4
(低压无接地线)③



● 输出轴内孔结构 The output shaft hole structure



①Lead wire length 300mm ②Connector: 5557-8R/10R (MOLEX)
③Round terminal: SRA-21T-4 (No ground for low voltage)

● Z4BLD40-□GNL-30S/4GN□LC整机容许力矩 (单位: N.m) Z4BLD40-□GNL-30S/4GN□LC gearmotor allowable torque (Unit: N.m)

电机轴转速 Motor speed	减速比 Reduction ratio							
	5	10	15	20	30	50	100	200
200~1500RPM	0.73	1.45	2.18	2.90	4.35	7.25	14.50	29.00
2000RPM	0.61	1.23	1.84	2.45	3.68	6.13	12.30	24.50
2500RPM	0.56	1.12	1.67	2.23	3.35	5.58	11.20	22.30
3000RPM	0.46	0.93	1.39	1.86	2.79	4.65	9.30	18.59

● Z4BLD60-□GNL-30S/4GN□LC整机容许力矩 (单位: N.m) Z4BLD60-□GNL-30S/4GN□LC gearmotor allowable torque (Unit: N.m)

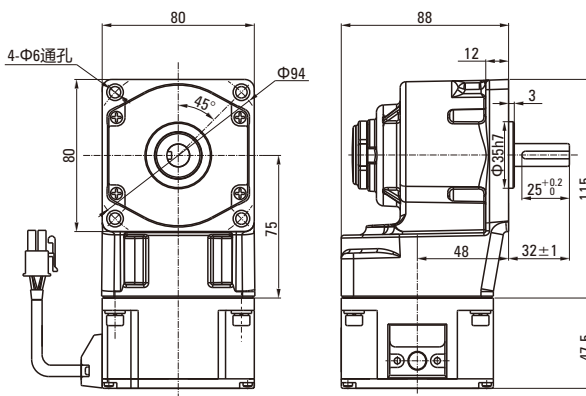
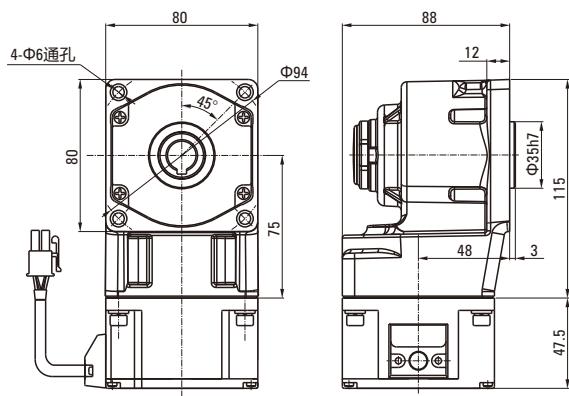
电机轴转速 Motor speed	减速比 Reduction ratio							
	5	10	15	20	30	50	100	200
200~1500RPM	1.21	2.41	3.62	4.83	6.53	10.9	21.80	39.30
2000RPM	1.02	2.04	3.06	4.08	5.52	9.20	18.40	33.30
2500RPM	0.93	1.86	2.78	3.71	5.02	8.37	16.70	30.30
3000RPM	0.70	1.39	2.09	2.79	4.18	6.97	13.94	27.89

注Note: 表格中的所有速比旋转方向与电机转向相反。All gearbox output turn direction in form are opposite motor turn direction.
(不同转速及速比下的力矩为ZD标准驱动器下测试所得。The torque under different speed and speed ratio is obtained under the ZD standard.)

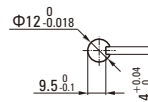
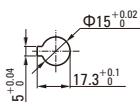
● 弧锥直角减速电机 Arc cone right angle speed reducer motor

Z4BLD60-□GN-30S/4GN□RC □—电压 Voltage 24/36/48/110/220
□—速比数值 Reduction ratio

Z4BLD60-□GN-30S/4GN□RT □—电压 Voltage 24/36/48/110/220
□—速比数值 Reduction ratio



● 输出轴内孔结构 The output shaft hole structure



● Z4BLD40-□GN-30S/4GN□RC/RT整机容许力矩 (单位: N.m) Z4BLD40-□GN-30S/4GN□RC/RT Machine allowable torque (Unit: N.m)

型号 Model	电机轴转速 Motor speed	减速比 Reduction ratio																	
		7.5	9	10	12.5	15	18	20	25	30	36	50	60	75	90	100	120	150	180
Z4BLD40-□GN	200~1500RPM	1.21	1.45	1.61	2.01	2.41	2.90	2.90	3.63	4.35	5.22	7.25	7.87	8.00	8.00	8.00	8.00	8.00	8.00
	2000RPM	1.02	1.23	1.36	1.70	2.04	2.45	2.45	3.07	3.68	4.42	6.13	6.66	8.00	8.00	8.00	8.00	8.00	8.00
	2500RPM	0.93	1.11	1.24	1.55	1.86	2.23	2.23	2.79	3.35	4.02	5.58	6.05	7.56	8.00	8.00	8.00	8.00	8.00
	3000RPM	0.63	0.76	0.84	1.05	1.26	1.51	1.68	2.10	2.52	3.03	4.20	5.58	6.97	8.00	8.00	8.00	8.00	8.00

● Z4BLD60-□GN-30S/4GN□RC/RT整机容许力矩 (单位: N.m) Z4BLD60-□GN-30S/4GN□RC/RT Machine allowable torque (Unit: N.m)

型号 Model	电机轴转速 Motor speed	减速比 Reduction ratio																	
		7.5	9	10	12.5	15	18	20	25	30	36	50	60	75	90	100	120	150	180
Z4BLD60-□GN	200~1500RPM	1.81	2.17	2.41	3.02	3.62	4.34	4.35	5.44	6.53	7.83	8.00	8.00	8.00	8.00	8.00	8.00	8.00	8.00
	2000RPM	1.53	1.84	2.04	2.55	3.06	3.68	3.68	4.60	5.52	6.63	8.00	8.00	8.00	8.00	8.00	8.00	8.00	8.00
	2500RPM	1.39	1.67	1.86	2.32	2.78	3.34	3.35	4.18	5.02	6.02	8.00	8.00	8.00	8.00	8.00	8.00	8.00	8.00
	3000RPM	0.95	1.13	1.26	1.58	1.89	2.27	2.52	3.15	3.78	4.54	6.30	8.00	8.00	8.00	8.00	8.00	8.00	8.00

注Note: 表格中的 () (灰底部分) 表示旋转方向与电机转向一致。The (gray) in the table indicates that the rotation direction is consistent with the motor.
(不同转速及速比下的力矩为ZD标准驱动器下测试所得。The torque under different speed and speed ratio is obtained under the ZD standard.)

90系列永磁无刷齿轮减速电机 (GN型)

90 SERIES OF BRUSHLESS DC MOTOR (GN TYPE)

电机基本特性 Basic characteristics of motor

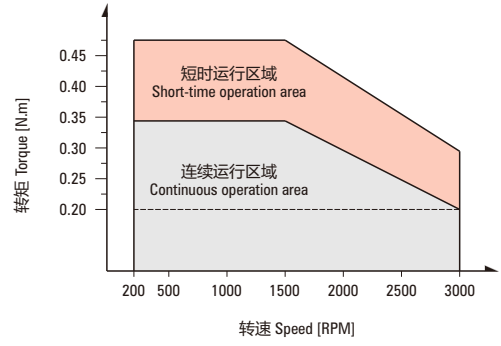
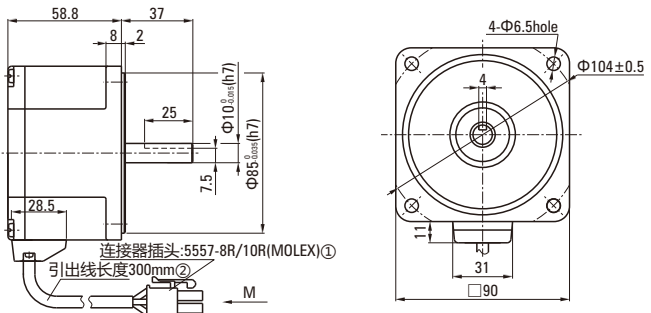
● 60W (DC电源时适用于24VDC/36VDC/48VDC) 60W (DC power supply is suitable for 24VDC/36VDC/48VDC)

额定功率(连续) Rated power (Continuous)	W	60 (40W/60W)			
额定转速 Rated speed	r/min	3000			
额定转矩 Rated torque	N.m	0.191			
瞬时最大转矩 Instantaneous maximum torque	N.m	0.287			
转子转动惯量 Rotor moment of inertia	J: $\times 10^{-4} \text{kg.m}^2$	0.082			
速度控制范围 Speed control range	RPM	200~3000			
速率变化率 Speed control range	对负载 On load	±1.0%以下: 条件0~额定转矩、额定转速、额定电压、常温 Below ±1%: Condition 0~rated torque, rated speed, rated voltage, room temperature			
	对电压 On voltage	±1.0%以下: 条件额定电压±10%、额定转速、额定负载、常温 Below ±1%: Condition rated voltage ±10%, rated speed, rated load, room temperature			
	对温度 On temperature	±1.0%以下: 条件使用环境温度-10°C~+40°C额定转速、额定负载、额定电压 Below ±1%: Conditions of ambient temperature -10°C~+40°C rated voltage, rated load and rated speed			
电源输入 Power input	额定电压 Rated voltage	V	单相 Single phase 110V	单相 Single phase 220V	24VDC (可选Optional 36VDC/48VDC)
	电压容许范围 Voltage tolerance range		±10%		
	频率 Frequency	Hz	50/60	/	
	频率容许范围 Frequency tolerance range		±5%		
	额定输入电流 Rated input current	A	1.7	1.0	3.7
	瞬时最大输入电流 Instantaneous maximum input current	A	3.3	1.9	5.6

圆轴型光电机 Round shaft type only motor

● Z5BLD60-□A-30S □—电压 Voltage 24/36/48/110/220

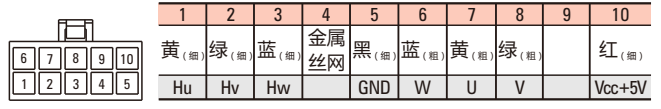
● Z5BLD60-220A-30S 曲线图 Diagram (ZD标准驱动器 ZD standard drive)



①Connector: 5557-8R/10R (MOLEX) ②Lead wire length 300mm

● 低压电机接线插孔对应信号说明
Low voltage wire plughole corresponding signal explanation

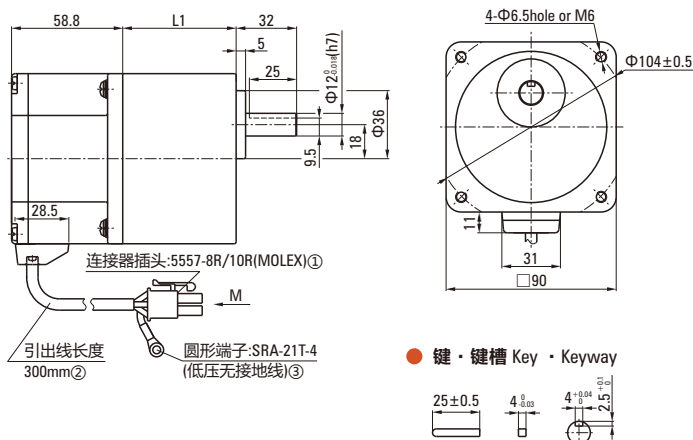
● 高压电机接线插孔对应信号说明
High voltage wire plughole corresponding signal explanation



60W

● 平行轴减速机 Parallel shaft gearbox

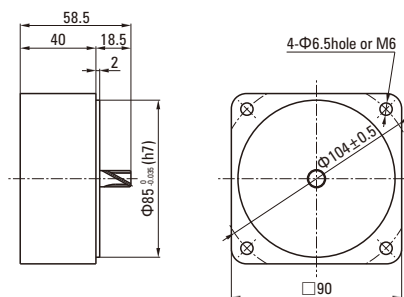
Z5BLD60-□GN-30S/5GN□K □—电压 Voltage 24/36/48/110/220
□—速比数值 Reduction ratio



①Connector: 5557-8R/10R (MOLEX) ②The sheath length of lead line 300mm ③Round terminal: SRA-21T-4 (Low ground)

● 中间减速器 Decimal gearbox

5GN□KX □—速比数值, 一般为10 Velocity ratio value, generallyly 10



减速器型号 Gearhead model	减速比 Gear ratio	L尺寸 Dimension
5GN□K	3~18	42&60
	20~200	60

● 减速器型号的□中为减速比的数值
□ means gearbox ratio

● Z5BLD40-□GN-30S/5GN□K整机容许力矩 (单位: N.m) Z5BLD40-□GN-30S/5GN□K gearmotor allowable torque (Unit: N.m)

型号 Model	电机轴转速 Motor speed	减速比 Reduction ratio																						
		3	3.6	5	6	7.5	9	10	12.5	15	18	20	25	30	36	50	60	75	90	100	120	150	180	200
Z5BLD40-□GN	200~1500RPM	0.48	0.58	0.80	0.97	1.21	1.45	1.61	2.01	2.41	2.90	2.90	3.63	4.35	5.22	7.25	7.87	9.83	10.0	10.0	10.0	10.0	10.0	10.0
	2000RPM	0.41	0.49	0.68	0.82	1.02	1.23	1.36	1.70	2.04	2.45	2.45	3.07	3.68	4.42	6.13	6.66	8.32	9.98	10.0	10.0	10.0	10.0	10.0
	2500RPM	0.37	0.45	0.62	0.74	0.93	1.11	1.24	1.55	1.86	2.23	2.23	2.79	3.35	4.02	5.58	6.05	7.56	9.08	10.0	10.0	10.0	10.0	10.0
	3000RPM	0.31	0.37	0.52	0.62	0.77	0.93	1.03	1.29	1.55	1.86	1.86	2.32	2.79	3.35	4.65	5.01	6.26	7.52	8.35	10.0	10.0	10.0	10.0

● Z5BLD60-□GN-30S/5GN□K整机容许力矩 (单位: N.m) Z5BLD60-□GN-30S/5GN□K gearmotor allowable torque (Unit: N.m)

型号 Model	电机轴转速 Motor speed	减速比 Reduction ratio																						
		3	3.6	5	6	7.5	9	10	12.5	15	18	20	25	30	36	50	60	75	90	100	120	150	180	200
Z5BLD60-□GN	200~1500RPM	0.72	0.87	1.21	1.45	1.81	2.17	2.41	3.02	3.62	4.34	4.35	5.44	6.53	7.83	9.83	10.0	10.0	10.0	10.0	10.0	10.0	10.0	10.0
	2000RPM	0.61	0.74	1.02	1.23	1.53	1.84	2.04	2.55	3.06	3.68	3.68	4.60	5.52	6.63	8.32	9.98	10.0	10.0	10.0	10.0	10.0	10.0	10.0
	2500RPM	0.56	0.67	0.93	1.11	1.39	1.67	1.86	2.32	2.78	3.34	3.35	4.18	5.02	6.02	7.56	9.08	10.0	10.0	10.0	10.0	10.0	10.0	10.0
	3000RPM	0.46	0.56	0.77	0.93	1.16	1.39	1.55	1.93	2.32	2.78	2.79	3.49	4.18	5.02	6.97	7.52	9.40	10.0	10.0	10.0	10.0	10.0	10.0

注Note: 表格中的 (灰底部分) 表示旋转方向与电机转向一致。The (Grey background area) in the table indicates that the rotation direction is same as the motor (不同转速及速比下的力矩为ZD标准驱动器下测试所得。The torque under different speed and speed ratio is obtained under the ZD standard.)

90系列永磁无刷齿轮减速电机 (GU型) 90 SERIES OF BRUSHLESS DC MOTOR (GU TYPE)

电机基本特性 Basic characteristics of motor

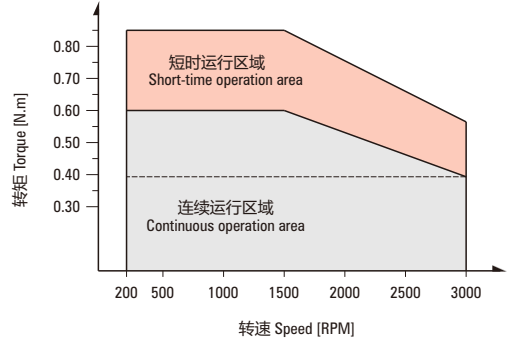
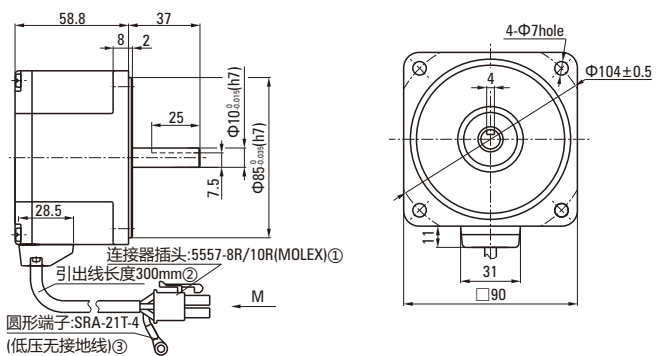
● 120W (DC电源时适用于24VDC/36VDC/48VDC) 120W (DC power supply is suitable for 24VDC/36VDC/48VDC)

额定功率(连续) Rated power (Continuous)	W	120 (60W/90W/120W)			
额定转速 Rated speed	r/min	3000			
额定转矩 Rated torque	N.m	0.382			
瞬时最大转矩 Instantaneous maximum torque	N.m	0.573			
转子转动惯量 Rotor moment of inertia	J: $\times 10^{-4} \text{kg}\cdot\text{m}^2$	0.250			
速度控制范围 Speed control range	RPM	200~3000			
速率变化率 Speed control range	对负载 On load	±1.0%以下: 条件0~额定转矩、额定转速、额定电压、常温 Below ±1%: Condition 0~rated torque, rated speed, rated voltage, room temperature			
	对电压 On voltage	±1.0%以下: 条件额定电压±10%、额定转速、额定负载、常温 Below ±1%: Condition rated voltage ±10%, rated speed, rated load, room temperature			
	对温度 On temperature	±1.0%以下: 条件使用环境温度-10°C~+40°C额定转速、额定负载、额定电压 Below ±1%: Conditions of ambient temperature -10°C~+40°C rated voltage, rated load and rated speed			
电源输入 Power input	额定电压 Rated voltage	V	单相 Single phase 110V	单相 Single phase 220V	24VDC (可选Optional 36VDC/48VDC)
	电压容许范围 Voltage tolerance range		±10%		
	频率 Frequency	Hz	50/60		/
	频率容许范围 Frequency tolerance range		±5%		/
	额定输入电流 Rated input current	A	3.5	2.0	6.8
	瞬时最大输入电流 Instantaneous maximum input current	A	7.0	4.5	13.0

圆轴型光电机 Round shaft type only motor

● Z5BLD120-□A-30S □—电压 Voltage 24/36/48/110/220

● Z5BLD120-220A-30S 曲线图 Diagram (ZD标准驱动器 ZD standard drive)



①Connector: 5557-8R/10R (MOLEX) ②Lead wire length 300mm ③Round terminal: SRA-21T-4 (No ground for low voltage)

● 低压电机接线插孔对应信号说明
Low voltage wire plughole corresponding signal explanation

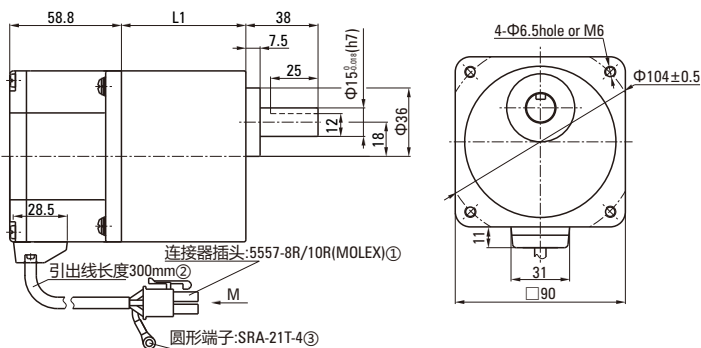
● 高压电机接线插孔对应信号说明
High voltage wire plughole corresponding signal explanation



120W

● 平行轴减速机 Parallel shaft gearbox

Z5BLD120-□GU-30S/5GU□KB □—电压 Voltage 24/36/48/110/220
□—速比数值 Reduction ratio



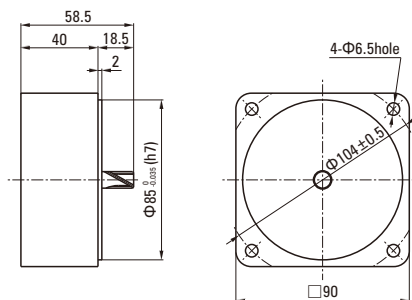
● 键·键槽 Key · Keyway



①Connector: 5557-8R/10R (MOLEX) ②The sheath length of lead line 300mm ③Round terminal: SRA-21T-4

● 中间减速器 Decimal gearbox

5GU□XK □—速比数值, 一般为10 Velocity ratio value, generallyly 10



减速器型号 Gearhead model	减速比 Gear ratio	L尺寸 Dimension
5GU□K	3~200	65.5

● 减速器型号的□中为减速比的数值
□ means gearbox ratio

● Z5BLD60-□GU-30S/5GU□K整机容许力矩 (单位: N.m) Z5BLD60-□GU-30S/5GU□K gearmotor allowable torque (Unit: N.m)

型号 Model	电机轴转速 Motor speed	减速比 Reduction ratio																							
		3	3.6	5	6	7.5	9	10	12.5	15	18	20	25	30	36	50	60	75	90	100	120	150	180	200	
Z5BLD60-□GU	200~1500RPM	0.72	0.87	1.21	1.45	1.81	2.17	2.41	3.02	3.62	4.34	4.35	5.44	6.53	7.83	9.83	10.0	10.0	10.0	10.0	10.0	10.0	10.0	10.0	10.0
	2000RPM	0.61	0.74	1.02	1.23	1.53	1.84	2.04	2.55	3.06	3.68	3.68	4.60	5.52	6.63	8.32	9.98	10.0	10.0	10.0	10.0	10.0	10.0	10.0	10.0
	2500RPM	0.56	0.67	0.93	1.11	1.39	1.67	1.86	2.32	2.78	3.34	3.35	4.18	5.02	6.02	7.56	9.08	10.0	10.0	10.0	10.0	10.0	10.0	10.0	10.0
	3000RPM	0.46	0.56	0.77	0.93	1.16	1.39	1.55	1.93	2.32	2.78	2.79	3.49	4.18	5.02	6.97	7.52	9.40	10.0	10.0	10.0	10.0	10.0	10.0	10.0

● Z5BLD90-□GU-30S/5GU□K整机容许力矩 (单位: N.m) Z5BLD90-□GU-30S/5GU□K gearmotor allowable torque (Unit: N.m)

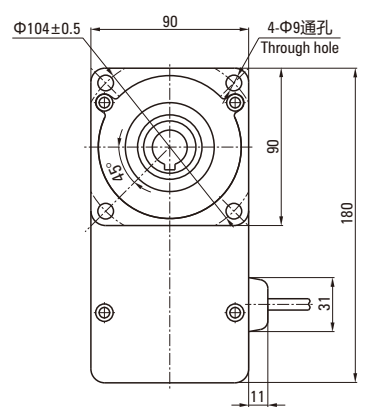
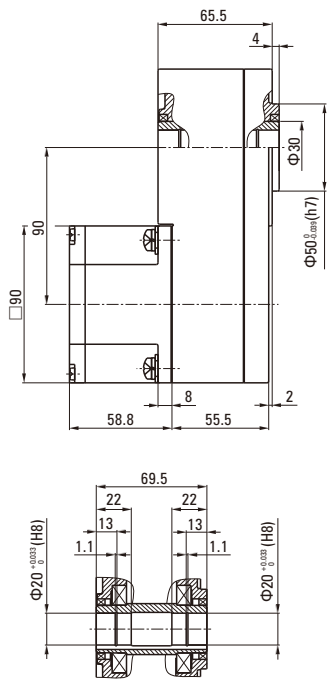
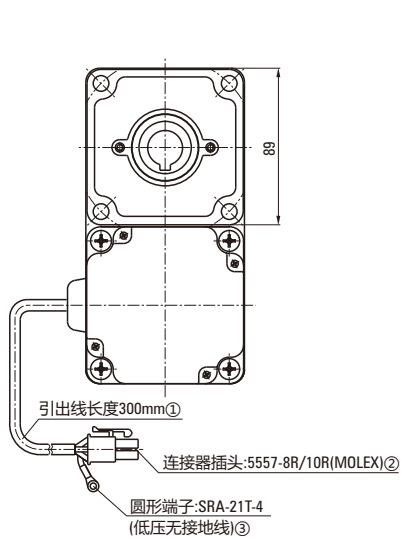
型号 Model	电机轴转速 Motor speed	减速比 Reduction ratio																							
		3	3.6	5	6	7.5	9	10	12.5	15	18	20	25	30	36	50	60	75	90	100	120	150	180	200	
Z5BLD90-□GU	200~1500RPM	1.09	1.30	1.81	2.18	2.72	3.26	3.62	4.53	5.43	6.52	6.53	8.16	9.79	11.8	14.7	17.7	20.0	20.0	20.0	20.0	20.0	20.0	20.0	20.0
	2000RPM	0.92	1.10	1.53	1.84	2.30	2.76	3.06	3.83	4.59	5.51	5.52	6.90	8.28	9.94	12.5	15.0	18.7	20.0	20.0	20.0	20.0	20.0	20.0	20.0
	2500RPM	0.84	1.00	1.39	1.67	2.09	2.51	2.78	3.48	4.18	5.01	5.02	6.27	7.53	9.04	11.3	13.6	17.0	20.0	20.0	20.0	20.0	20.0	20.0	20.0
	3000RPM	0.70	0.84	1.16	1.39	1.74	2.09	2.32	2.90	3.48	4.18	4.18	5.23	6.27	7.53	10.46	11.28	14.1	16.91	18.79	20.0	20.0	20.0	20.0	20.0

● Z5BLD120-□GU-30S/5GU□KB整机容许力矩 (单位: N.m) Z5BLD120-□GU-30S/5GU□KB gearmotor allowable torque (Unit: N.m)

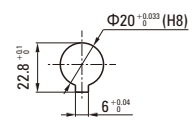
型号 Model	电机轴转速 Motor speed	减速比 Reduction ratio																							
		3	3.6	5	6	7.5	9	10	12.5	15	18	20	25	30	36	50	60	75	90	100	120	150	180	200	
Z5BLD120-□GU	200~1500RPM	1.45	1.74	2.41	2.90	3.62	4.34	4.35	5.44	6.53	7.83	7.87	9.83	11.8	14.2	19.7	20.0	20.0	20.0	20.0	20.0	20.0	20.0	20.0	20.0
	2000RPM	1.23	1.47	2.04	2.45	3.06	3.68	3.68	4.60	5.52	6.63	6.66	8.32	9.98	12.0	16.6	20.0	20.0	20.0	20.0	20.0	20.0	20.0	20.0	20.0
	2500RPM	1.11	1.34	1.86	2.23	2.78	3.34	3.35	4.18	5.02	6.02	6.05	7.56	9.08	10.9	15.1	18.2	20.0	20.0	20.0	20.0	20.0	20.0	20.0	20.0
	3000RPM	0.93	1.11	1.55	1.86	2.32	2.78	3.09	3.87	4.64	5.57	5.58	6.97	8.37	10.04	13.94	15.04	18.79	20.0	20.0	20.0	20.0	20.0	20.0	20.0

注Note: 表格中的□(灰底部分)表示旋转方向与电机转向一致。The □(Grey background area) in the table indicates that the rotation direction is same as the motor (不同转速及速比下的力矩为ZD标准驱动器下测试所得。The torque under different speed and speed ratio is obtained under the ZD standard.)

● L型减速机 L type gearbox
 Z5BLD120-GUL-30S/5GULC —电压 Voltage 24/36/48/110/220
—速比数值 Reduction ratio



● 输出轴内孔结构 The output shaft hole structure



①Lead wire length 300mm ②Connector: 5557-8R/10R (MOLEX) ③Round terminal: SRA-21T-4 (No ground for low voltage)

● Z5BLD60-GUL-30S/5GULC整机容许力矩 (单位: N.m) Z5BLD60-GUL-30S/5GULC gearmotor allowable torque (Unit: N.m)

电机轴转速 Motor speed	减速比 Reduction ratio	5	10	15	20	30	50	100	200
200~1500RPM		1.09	2.18	3.26	4.35	6.53	10.9	21.8	43.5
2000RPM		0.92	1.84	2.76	3.68	5.52	9.20	18.4	36.8
2500RPM		0.84	1.67	2.51	3.35	5.02	8.37	16.7	33.5
3000RPM		0.70	1.39	2.09	2.79	4.18	6.97	13.94	27.89

● Z5BLD90-GUL-30S/5GULC整机容许力矩 (单位: N.m) Z5BLD90-GUL-30S/5GULC gearmotor allowable torque (Unit: N.m)

电机轴转速 Motor speed	减速比 Reduction ratio	5	10	15	20	30	50	100	200
200~1500RPM		1.63	3.26	4.90	6.53	9.79	16.3	32.6	65.3
2000RPM		1.38	2.76	4.14	5.52	8.28	13.8	27.6	55.2
2500RPM		1.25	2.51	3.76	5.02	7.53	12.5	25.1	50.2
3000RPM		1.05	2.09	3.14	4.18	6.27	10.46	20.91	41.83

● Z5BLD120-GUL-30S/5GULC整机容许力矩 (单位: N.m) Z5BLD120-GUL-30S/5GULC gearmotor allowable torque (Unit: N.m)

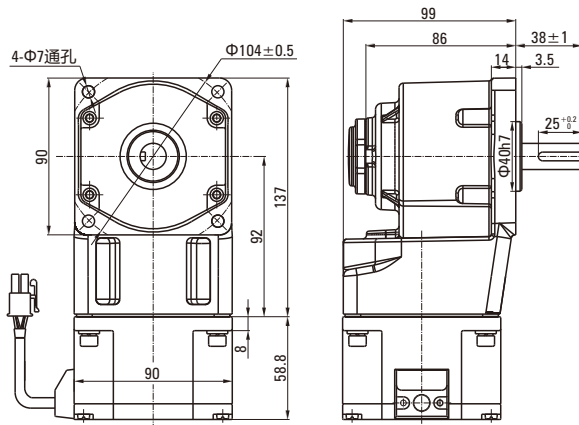
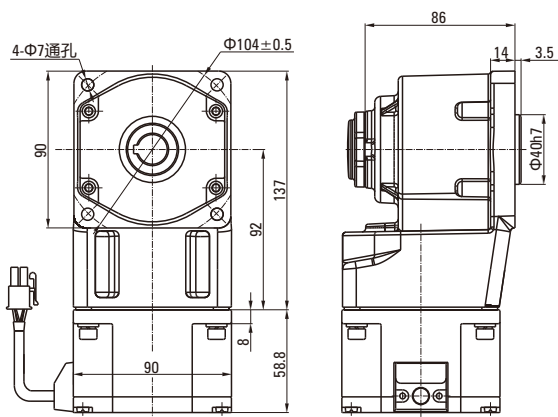
电机轴转速 Motor speed	减速比 Reduction ratio	5	10	15	20	30	50	100	200
200~1500RPM		2.41	4.83	7.24	9.65	13.1	21.8	43.5	68.0
2000RPM		2.04	4.08	6.13	8.17	11.0	18.4	36.8	66.6
2500RPM		1.86	3.71	5.57	7.43	10.0	16.7	33.5	60.5
3000RPM		1.39	2.79	4.18	5.58	8.37	13.94	27.89	55.77

注Note: 表格中的所有速比旋转方向与电机转向相反。All gearbox output turn direction in form are opposite motor turn direction.
 (不同转速及速比下的力矩为ZD标准驱动器下测试所得。The torque under different speed and speed ratio is obtained under the ZD standard.)

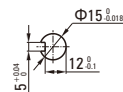
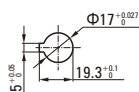
● 弧锥直角减速电机 Arc cone right angle speed reducer motor

Z5BLD120-GU-30S/5GURC —电压 Voltage 24/36/48/110/220
—速比数值 Reduction ratio

Z5BLD120-GU-30S/5GURT —电压 Voltage 24/36/48/110/220
—速比数值 Reduction ratio



● 输出轴内孔结构 The output shaft hole structure



● Z5BLD60-GU-30S/5GURC/RT整机容许力矩 (单位: N.m) Z5BLD60-GU-30S/5GURC/RT gearmotor allowable torque (Unit: N.m)

型号 Model	电机轴转速 Motor speed	减速机容许力矩 (单位: N.m)																	
		7.5	9	10	12.5	15	18	20	25	30	36	50	60	75	90	100	120	150	180
Z5BLD60- <input checked="" type="checkbox"/> GU	200~1500RPM	1.81	2.17	2.41	3.02	3.62	4.34	4.35	5.44	6.53	7.83	9.83	10.0	10.0	10.0	10.0	10.0	10.0	10.0
	2000RPM	1.53	1.84	2.04	2.55	3.06	3.68	3.68	4.60	5.52	6.63	8.32	9.98	10.0	10.0	10.0	10.0	10.0	10.0
	2500RPM	1.39	1.67	1.86	2.32	2.78	3.34	3.35	4.18	5.02	6.02	7.56	9.08	10.0	10.0	10.0	10.0	10.0	10.0
	3000RPM	0.95	1.13	1.26	1.58	1.89	2.27	2.52	3.15	3.78	5.02	6.97	8.37	10.0	10.0	10.0	10.0	10.0	10.0

● Z5BLD90-GU-30S/5GURC/RT整机容许力矩 (单位: N.m) Z5BLD90-GU-30S/5GURC/RT gearmotor allowable torque (Unit: N.m)

型号 Model	电机轴转速 Motor speed	减速机容许力矩 (单位: N.m)																	
		7.5	9	10	12.5	15	18	20	25	30	36	50	60	75	90	100	120	150	180
Z5BLD90- <input checked="" type="checkbox"/> GU	200~1500RPM	2.72	3.26	3.62	4.53	5.43	6.52	6.53	8.16	9.79	11.8	14.7	17.7	20.0	20.0	20.0	20.0	20.0	20.0
	2000RPM	2.30	2.76	3.06	3.83	4.59	5.51	5.52	6.90	8.28	9.94	12.5	15.0	18.7	20.0	20.0	20.0	20.0	20.0
	2500RPM	2.09	2.51	2.78	3.48	4.18	5.01	5.02	6.27	7.53	9.04	11.3	13.6	17.0	20.0	20.0	20.0	20.0	20.0
	3000RPM	1.42	1.70	1.89	2.36	2.84	3.40	3.78	4.73	5.67	7.53	10.46	12.55	15.69	18.82	20.0	20.0	20.0	20.0

● Z5BLD120-GU-30S/5GURC/RT整机容许力矩 (单位: N.m) Z5BLD120-GU-30S/5GURC/RT gearmotor allowable torque (Unit: N.m)

型号 Model	电机轴转速 Motor speed	减速机容许力矩 (单位: N.m)																	
		7.5	9	10	12.5	15	18	20	25	30	36	50	60	75	90	100	120	150	180
Z5BLD120- <input checked="" type="checkbox"/> GU	200~1500RPM	3.62	4.34	4.35	5.44	6.53	7.83	7.87	9.83	11.8	14.2	19.7	20.0	20.0	20.0	20.0	20.0	20.0	20.0
	2000RPM	3.06	3.68	3.68	4.60	5.52	6.63	6.66	8.32	9.98	12.0	16.6	20.0	20.0	20.0	20.0	20.0	20.0	20.0
	2500RPM	2.78	3.34	3.35	4.18	5.02	6.02	6.05	7.56	9.08	10.9	15.1	18.2	20.0	20.0	20.0	20.0	20.0	20.0
	3000RPM	1.89	2.27	2.52	3.15	3.78	4.54	5.04	6.30	7.56	10.04	13.94	16.73	20.0	20.0	20.0	20.0	20.0	20.0

注Note: 表格中的 (灰底部分) 表示旋转方向与电机转向一致。The (Grey background area) in the table indicates that the rotation direction is same as the motor (不同转速及速比下的力矩为ZD标准驱动器下测试所得。The torque under different speed and speed ratio is obtained under the ZD standard.)

104系列永磁无刷齿轮减速电机

104 SERIES OF BRUSHLESS DC MOTOR

电机基本特性 Basic characteristics of motor

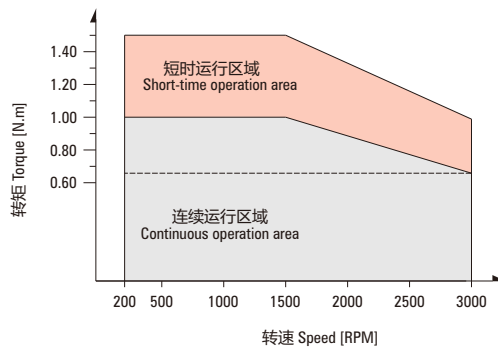
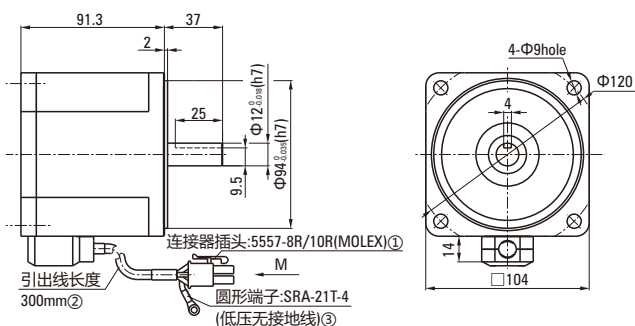
● 200W (DC电源时适用于24VDC/36VDC/48VDC) 200W (DC power supply is suitable for 24VDC/36VDC/48VDC)

额定功率(连续) Rated power (Continuous)	W	200 (200W/400W)			
额定转速 Rated speed	r/min	3000			
额定转矩 Rated torque	N.m	0.636			
瞬时最大转矩 Instantaneous maximum torque	N.m	0.955			
转子转动惯量 Rotor moment of inertia	J:10 ⁻⁴ kg.m ²	0.460			
速度控制范围 Speed control range	RPM	高压 High pressure 200-2500RPM (低压 Low pressure 200-3000RPM)			
速率变化率 Speed control range	对负载 On load	±1.0%以下: 条件 0~额定转矩、额定转速、额定电压、常温 Below ±1%: Condition 0~rated torque, rated speed, rated voltage, room temperature			
	对电压 On voltage	±1.0%以下: 条件 额定电压±10%、额定转速、额定负载、常温 Below ±1%: Condition rated voltage ±10%, rated speed, rated load, room temperature			
	对温度 On temperature	±1.0%以下: 条件使用环境温度-10°C~+40°C额定转速、额定负载、额定电压 Below ±1%: Conditions of ambient temperature -10°C~+40°C rated voltage, rated load and rated speed			
电源输入 Power input	额定电压 Rated voltage	V	单相 Single phase 110V	单相 Single phase 220V	36VDC (可选Optional 48VDC)
	电压容许范围 Voltage tolerance range		±10%		
	频率 Frequency	Hz	50/60	/	
	频率容许范围 Frequency tolerance range		±5%		
	额定输入电流 Rated input current	A	4.7	2.4	7.5
	瞬时最大输入电流 Instantaneous maximum input current	A	9.0	4.8	11.5

圆轴型光电机 Round shaft type only motor

● Z6BLD200-□A-30S □—电压 Voltage 24/36/48/110/220

● Z6BLD200-220A-30S 曲线图 Diagram (ZD标准驱动器 ZD standard drive)



①Connector: 5557-8R/10R (MOLEX) ②Lead wire length 300mm ③Round terminal: SRA-21T-4 (No ground for low voltage)

● 低压电机接线插孔对应信号说明
Low voltage wire plughole corresponding signal explanation

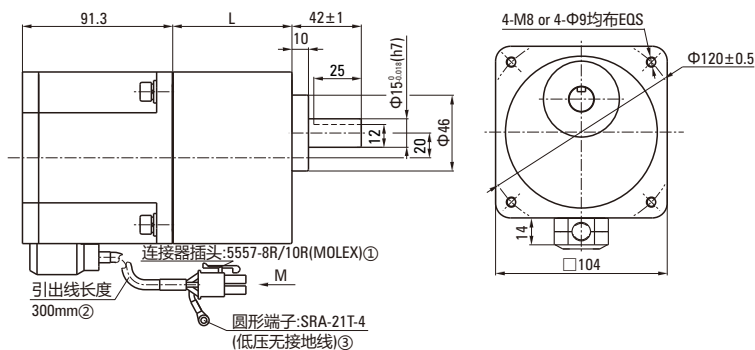
● 高压电机接线插孔对应信号说明
High voltage wire plughole corresponding signal explanation



200W

● 平行轴减速机 Parallel shaft gearbox

Z6BLD200-□GU-30S/6GU□K □—电压 Voltage 24/36/48/110/220
□—速比数值 Reduction ratio



● 键 · 键槽 Key · Keyway



减速器型号 Gearhead model	减速比 Gear ratio	L尺寸 Dimension
6GU□K	3~200	72

● 减速器型号的□中为减速比的数值
□ means gearbox ratio

①Connector: 5557-8R/10R (MOLEX) ②The length of lead line 300mm ③Round terminal: SRA-21T-4 (No ground for low voltage)

● Z6BLD200-□GU-30S/6GU□K整机容许力矩 (单位: N.m) Z6BLD200-□GU-30S/6GU□K gearmotor allowable torque (Unit: N.m)

型号 Model	电机轴转速 Motor speed	减速比 Reduction ratio																				
		3	3.6	5	6	7.5	9	12.5	15	18	25	30	36	50	60	75	90	100	120	150	180	200
Z6BLD200-□GU	200~1500RPM	2.41	2.90	4.02	4.83	6.03	7.24	9.06	10.9	13.1	16.4	19.7	23.6	32.8	39.3	40.0	40.0	40.0	40.0	40.0	40.0	40.0
	2000RPM	2.04	2.45	3.40	4.08	5.11	6.13	7.67	9.20	11.0	13.9	16.6	20.0	27.7	33.3	40.0	40.0	40.0	40.0	40.0	40.0	40.0
	2500RPM	1.86	2.23	3.09	3.71	4.64	5.57	6.97	8.37	10.0	12.6	15.1	18.2	25.2	30.3	37.8	40.0	40.0	40.0	40.0	40.0	40.0
	3000RPM	1.55	1.86	2.58	3.09	3.87	4.64	5.81	6.97	8.37	10.44	12.53	15.04	20.88	25.06	31.32	37.59	40.0	40.0	40.0	40.0	40.0

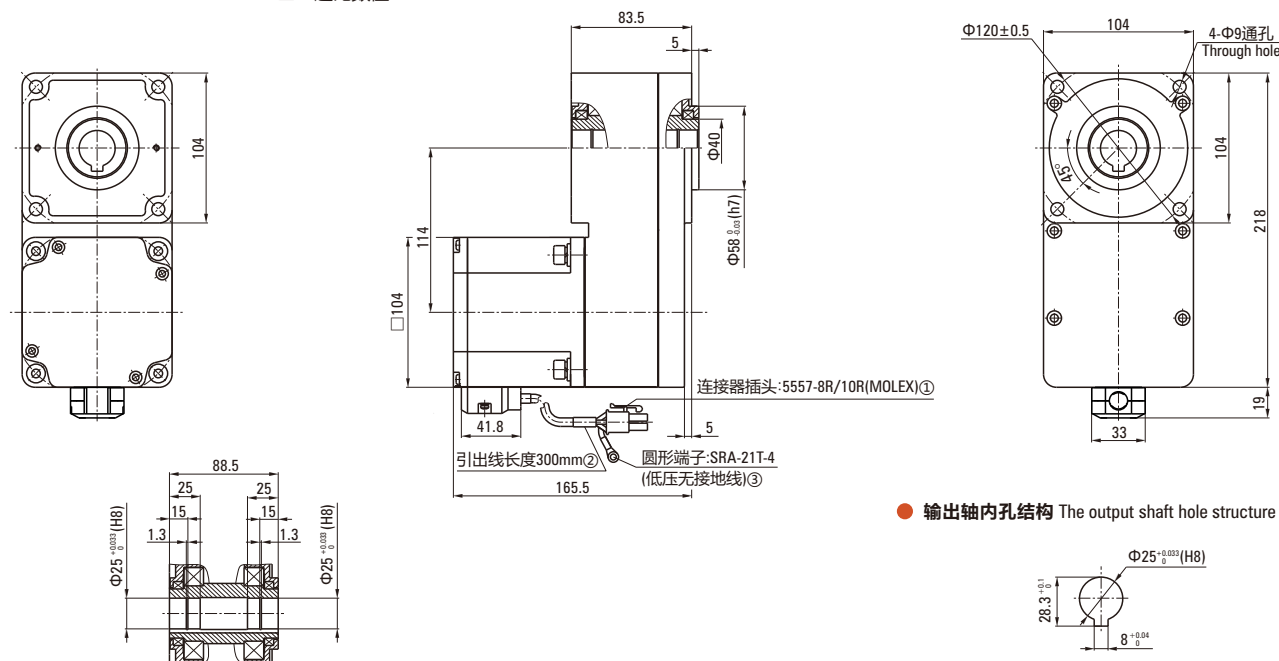
● Z6BLD400-□GU-30S/6GU□K整机容许力矩 (单位: N.m) Z6BLD400-□GU-30S/6GU□K gearmotor allowable torque (Unit: N.m)

型号 Model	电机轴转速 Motor speed	减速比 Reduction ratio																				
		3	3.6	5	6	7.5	9	12.5	15	18	25	30	36	50	60	75	90	100	120	150	180	200
Z6BLD400-□GU	200~1500RPM	4.82	5.80	8.04	9.66	12.06	14.48	18.12	21.8	26.2	32.8	39.4	40.0	40.0	40.0	40.0	40.0	40.0	40.0	40.0	40.0	40.0
	2000RPM	4.08	4.90	6.80	8.16	10.22	12.26	15.34	18.4	22.0	27.8	33.2	40.0	40.0	40.0	40.0	40.0	40.0	40.0	40.0	40.0	40.0
	2500RPM	3.72	4.46	6.18	7.42	9.28	11.14	13.94	16.74	20.0	25.2	30.2	36.4	40.0	40.0	40.0	40.0	40.0	40.0	40.0	40.0	40.0
	3000RPM	3.09	3.71	5.16	6.19	7.74	9.28	11.62	13.94	16.73	20.88	25.06	30.07	40.0	40.0	40.0	40.0	40.0	40.0	40.0	40.0	40.0

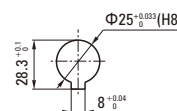
注Note: 表格中的 (灰底部分) 表示旋转方向与电机转向一致。The (Grey background area) in the table indicates that the rotation direction is same as the motor (不同转速及速比下的力矩为ZD标准驱动器下测试所得。The torque under different speed and speed ratio is obtained under the ZD standard.)

● L型减速机 L type gearbox

Z6BLD200-□GUL-30S/6GU□LC □—电压 Voltage 24/36/48/110/220
□—速比数值 Reduction ratio



● 输出轴内孔结构 The output shaft hole structure



①Connector: 5557-8R/10R (MOLEX) ②Lead wire length 300mm ③Round terminal: SRA-21T-4 (No ground for low voltage)

● Z6BLD200-□GUL-30S/6GU□LC 整机容许力矩 (单位: N.m) Z6BLD200-□GUL-30S/6GU□LC gearmotor allowable torque (Unit: N.m)

电机轴转速 Motor speed	减速比 Reduction ratio						
	5	15	20	30	40	50	100
200~1500RPM	4.02	12.1	16.10	21.80	32.20	40.20	80.40
2000RPM	3.40	10.2	13.60	20.40	27.20	34.00	68.00
2500RPM	3.09	9.27	12.36	18.54	24.72	30.90	61.80
3000RPM	2.32	6.96	9.280	13.92	18.56	23.20	46.40

● Z6BLD400-□GUL-30S/6GU□LC 整机容许力矩 (单位: N.m) Z6BLD400-□GUL-30S/6GU□LC gearmotor allowable torque (Unit: N.m)

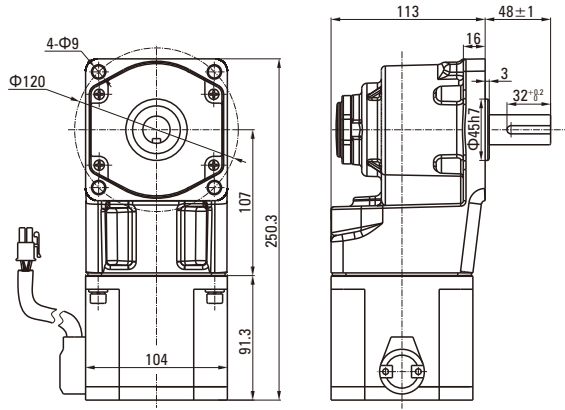
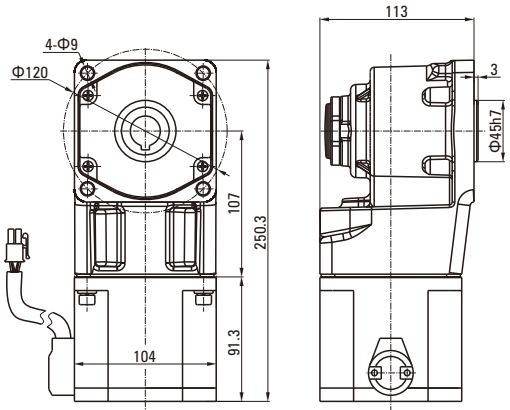
电机轴转速 Motor speed	减速比 Reduction ratio						
	5	15	20	30	40	50	100
200~1500RPM	8.04	24.20	32.20	43.60	64.40	80.40	120.0
2000RPM	6.80	20.40	27.20	40.80	54.40	68.00	120.0
2500RPM	6.18	18.54	24.72	37.08	49.44	61.80	120.0
3000RPM	4.64	13.92	18.56	27.84	37.12	46.40	92.80

注Note: 表格中的所有速比旋转方向与电机转向相反。All gearbox output turn direction in form are opposite motor turn direction.
(不同转速及速比下的力矩为ZD标准驱动器下测试所得。The torque under different speed and speed ratio is obtained under the ZD standard.)

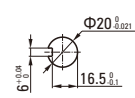
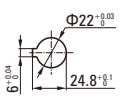
● 弧锥直角减速电机 Arc cone right angle speed reducer motor

Z6BLD200-□GU-30S/6GU□RC □—电压 Voltage 24/36/48/110/220
□—速比数值 Reduction ratio

Z6BLD200-□GU-30S/6GU□RT □—电压 Voltage 24/36/48/110/220
□—速比数值 Reduction ratio



● 输出轴内孔结构 The output shaft hole structure



● Z6BLD200-□GU-30S/6GU□RC/RT 整机容许力矩 (单位: N.m) Z6BLD200-□GU-30S/6GU□RC/RT gearmotor allowable torque (Unit: N.m)

型号 Model	电机轴转速 Motor speed	减速比 Reduction ratio																	
		7.5	9	12.5	15	18	25	30	36	50	60	75	90	100	120	150	180	200	
Z6BLD200-□GU	200~1500RPM	6.03	7.24	9.06	10.9	13.1	16.4	19.7	23.6	32.8	39.3	40.0	40.0	40.0	40.0	40.0	40.0	40.0	40.0
	2000RPM	5.11	6.13	7.67	9.20	11.0	13.9	16.6	20.0	27.7	33.3	40.0	40.0	40.0	40.0	40.0	40.0	40.0	40.0
	2500RPM	4.64	5.57	6.97	8.37	10.0	12.6	15.1	18.2	25.2	30.3	37.8	40.0	40.0	40.0	40.0	40.0	40.0	40.0
	3000RPM	3.15	3.78	5.25	6.30	7.56	10.51	12.61	15.13	23.24	27.89	34.86	40.0	40.0	40.0	40.0	40.0	40.0	40.0

● Z6BLD400-□GU-25S/6GU□RC/RT 整机容许力矩 (单位: N.m) Z6BLD400-□GU-25S/6GU□RC/RT gearmotor allowable torque (Unit: N.m)

型号 Model	电机轴转速 Motor speed	减速比 Reduction ratio																	
		7.5	9	12.5	15	18	25	30	36	50	60	75	90	100	120	150	180	200	
Z6BLD400-□GU	200~1500RPM	12.06	14.48	18.12	21.8	26.2	32.8	39.4	40.0	40.0	40.0	40.0	40.0	40.0	40.0	40.0	40.0	40.0	40.0
	2000RPM	10.22	12.26	15.34	18.4	22.0	27.8	33.2	40.0	40.0	40.0	40.0	40.0	40.0	40.0	40.0	40.0	40.0	40.0
	2500RPM	9.28	11.14	13.94	16.74	20.0	25.2	30.2	36.4	40.0	40.0	40.0	40.0	40.0	40.0	40.0	40.0	40.0	40.0
	3000RPM	6.30	7.56	10.51	12.61	15.13	21.01	25.21	30.25	40.0	40.0	40.0	40.0	40.0	40.0	40.0	40.0	40.0	40.0

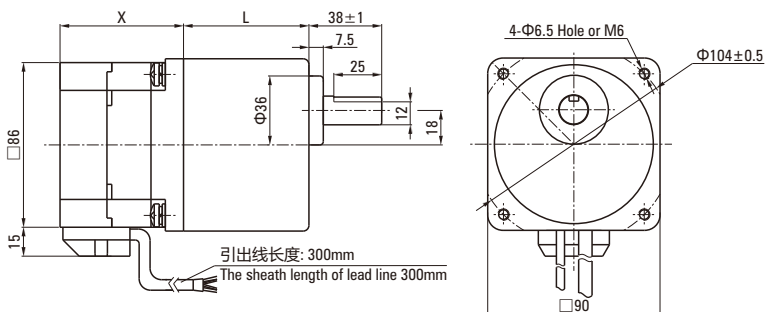
注Note: 表格中的□ (灰底部分) 表示旋转方向与电机转向一致。The □ (Grey background area) in the table indicates that the rotation direction is same as the motor
(不同转速及速比下的力矩为ZD标准驱动器下测试所得。The torque under different speed and speed ratio is obtained under the ZD standard.)

86系列永磁无刷齿轮减速电机 (GU型)

86 SERIES OF BRUSHLESS DC MOTOR (GU TYPE)

● 平行轴减速机 Parallel shaft gearbox

Z55BLD200-GUL-30S/5GULC —电压 Voltage 24/36/48
—速比数值 Reduction ratio

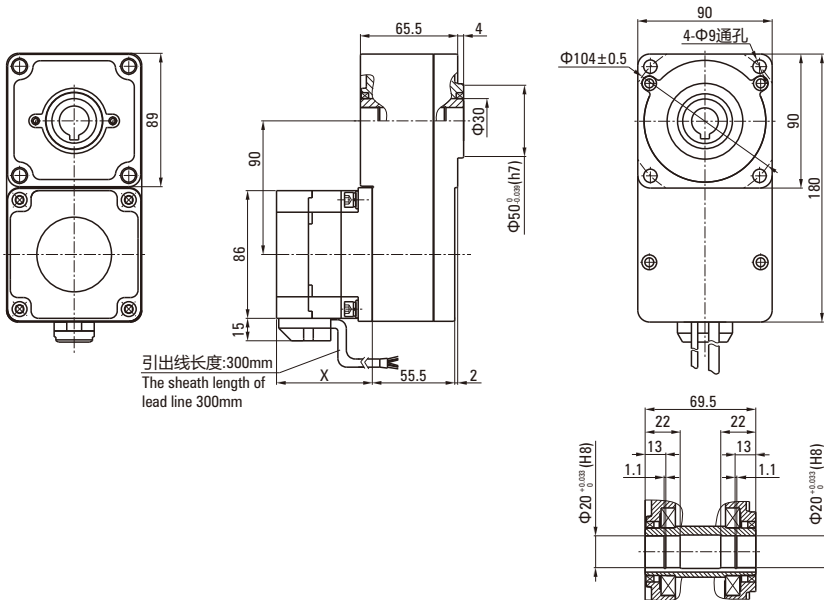


● 键 · 键槽 Key · Keyway



● L型减速机 L type gearbox

Z55BLD200-GUL-30S/5GULC —电压 Voltage 24/36/48
—速比数值 Reduction ratio



● 电机功率段 Motor power band

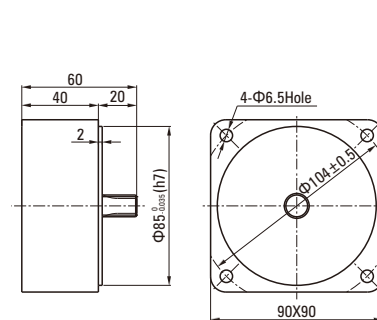
额定功率 (W) Rated power	额定转速 (RPM) Rated speed	长度X (mm) Extent
200	3000	64.5
300	3000	74.5
400	3000	84.5
500	3000	94.5
600	3000	105.5
750	3000	130.0

减速器型号 Gearhead model	减速比 Gear ratio	L尺寸 Dimension
5GU <input type="checkbox"/> KB	3~200	65.5

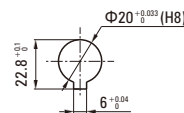
● 减速器型号中的中为减速比的数值
 means gearbox ratio

● 中间减速器 Decimal gearbox

5GUXK
—速比数值, 一般为10 Velocity ratio value, generallyly 10



● 输出轴内孔结构 The output shaft hole structure

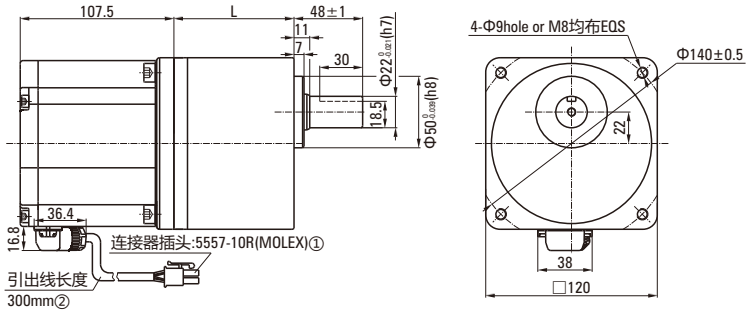


120系列永磁无刷齿轮减速电机 (GU型)

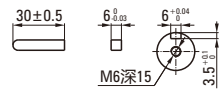
120 SERIES OF BRUSHLESS DC MOTOR (GU TYPE)

750W

- 平行轴减速机 Parallel shaft gearbox
- Z7BLD750-□GV-30S/7GU□V □—电压 Voltage 48/220
- 速比数值 Reduction ratio



● 键 · 键槽 Key · Keyway



减速器型号 Gearhead model	减速比 Gear ratio	L尺寸 Dimension
7GU□V	5~50	84

● 减速器型号的□中为减速比的数值
□ means gearbox ratio

①Connector: 5557-10R (MOLEX) ②The sheath length of lead line 300mm

● Z7BLD750-□GV-30S/7GU□V整机容许力矩 (单位: N.m) Z7BLD750-□GV-30S/7GU□V gearmotor allowable torque (Unit: N.m)

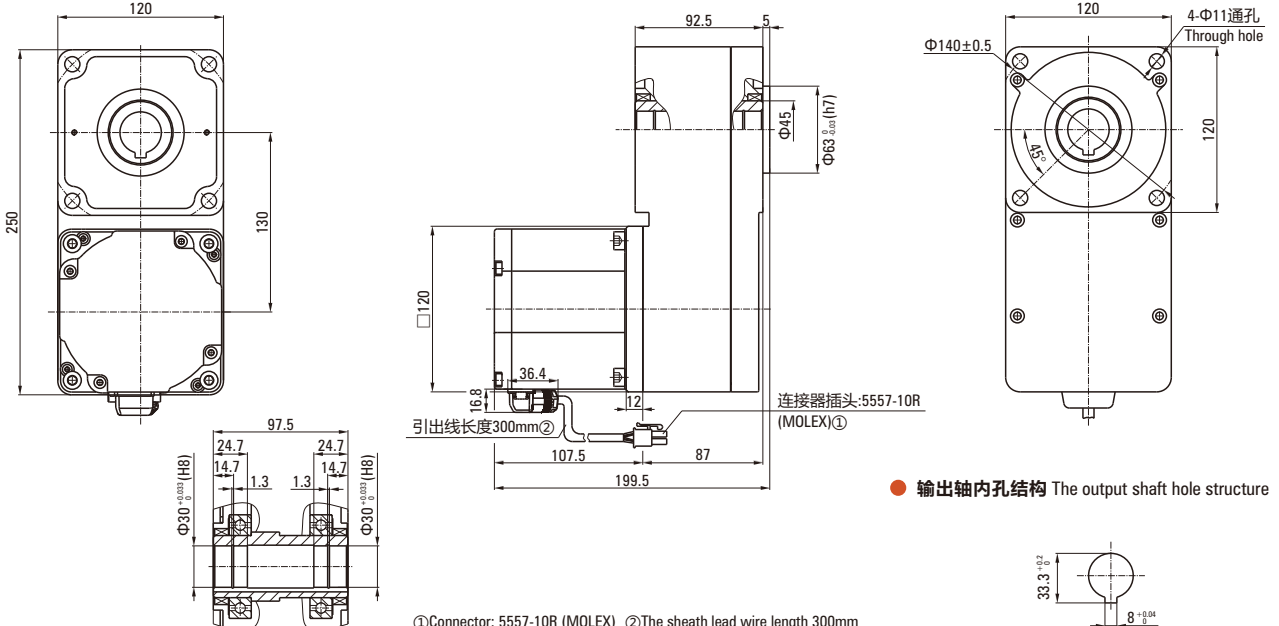
型号 Model	电机轴转速 Motor speed	减速比 Reduction ratio					
		5	10	15	20	30	50
Z7BLD750-□GV	200~1500RPM	19.34	38.68	52.29	69.72	100.00	100.00
	2000RPM	14.50	29.01	39.21	52.29	78.43	100.00
	2500RPM	11.60	23.21	31.37	41.83	62.74	100.00
	3000RPM	9.67	19.34	26.14	34.86	52.29	87.14

● Z7BLD750-□GUL-30S/7GU□L整机容许力矩 (单位: N.m) Z7BLD750-□GUL-30S/7GU□L gearmotor allowable torque (Unit: N.m)

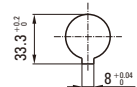
型号 Model	电机轴转速 Motor speed	减速比 Reduction ratio							
		5	10	15	20	25	30	50	100
Z7BLD750-□GUL	200~1500RPM	17.43	34.86	52.29	69.72	87.14	104.57	174.00	200.00
	2000RPM	13.07	26.14	39.21	52.29	65.36	78.43	130.72	200.00
	2500RPM	10.46	20.91	31.37	41.83	52.29	62.74	104.57	200.00
	3000RPM	8.71	17.43	26.14	34.86	43.57	52.29	87.14	174.00

注 Note : 表格中的 (灰底部分) 表示旋转方向与电机转向一致。The (Grey background area) in the table indicates that the rotation direction is same as the motor (不同转速及速比下的力矩为ZD标准驱动器下测试所得。The torque under different speed and speed ratio is obtained under the ZD standard.)

- L型减速机 L type gearbox
- Z7BLD750-□GUL-30S/7GU□L □—电压 Voltage 48/220
- 速比数值 Reduction ratio



● 输出轴内孔结构 The output shaft hole structure

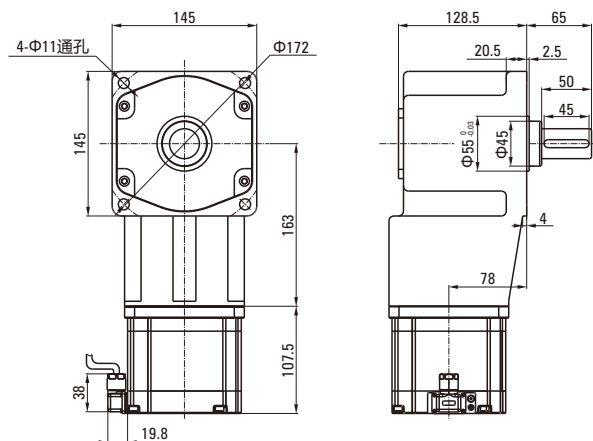
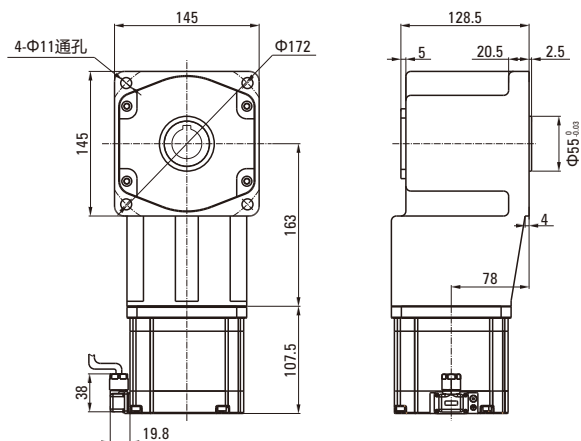


①Connector: 5557-10R (MOLEX) ②The sheath lead wire length 300mm

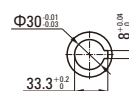
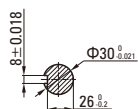
● 弧锥直角减速电机 Arc cone right angle speed reducer motor

Z7BLD750/1100-GUR-30S/7GURC —电压 Voltage 48/220
—速比数值 Reduction ratio

Z7BLD750/1100-GUR-30S/7GURT —电压 Voltage 48/220
—速比数值 Reduction ratio



● 输出轴内孔结构 The output shaft hole structure



● Z7BLD750-GUR-30S/7GURC/RT整机容许力矩 (单位: N.m) Z7BLD750-GUR-30S/7GURC/RT gearmotor allowable torque (Unit: N.m)

型号 Model	电机轴转速 Motor speed	减速比 Reduction ratio							
		5	10	15	20	25	30	50	100
Z7BLD750- <input checked="" type="checkbox"/> GUR	100-2000r/min时	11.75	26.11	39.16	52.21	65.27	78.32	117.48	234.97
	3000r/min时	7.83	17.40	26.11	34.81	43.51	52.21	78.32	156.64

注Note : 色表示与电动机的旋转方向为同方向。其他则为相反方向。
 The color represents the same direction as the rotation direction of the motor Others are in the opposite direction.

● Z7BLD1100-GUR-30S/7GURC/RT整机容许力矩 (单位: N.m) Z7BLD1100-GUR-30S/7GURC/RT gearmotor allowable torque (Unit: N.m)

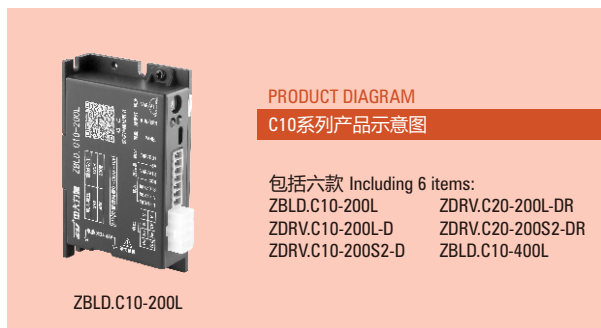
型号 Model	电机轴转速 Motor speed	减速比 Reduction ratio							
		5	10	15	20	25	30	50	100
Z7BLD1100- <input checked="" type="checkbox"/> GUR	100-2000r/min时	17.23	38.29	57.44	76.58	95.73	114.87	172.31	250.00
	3000r/min时	11.49	25.53	38.29	51.05	63.82	76.58	114.87	229.74

注Note : 色表示与电动机的旋转方向为同方向。其他则为相反方向。
 The color represents the same direction as the rotation direction of the motor Others are in the opposite direction.

C10系列无刷驱动器 C10 SERIES BRUSHLESS DRIVERS

Z BLD • C10 — 120 L/H/S2 D/X
① ② ③ ④ ⑤ ⑥

① 公司名称 Company	Z: 中大力德 ZHONGDA LEADER	
② 类型 Type	BLD: 无刷电机驱动器 Motor driver	
	DRV: 驱动器及相关产品 Driver and related products	
③ 版本 Version	C10: C10、C13系列 Series	
④ 功率 Power	120	200
	120W	200W
⑤ 电压 Voltage	L: 低压DC24V~48V Low voltage	L2: 低压DC24V Low voltage
	H/S2: 高压 High voltage AC220V/50Hz	
⑥ 功能 Feature	D: 带数字显示 With display	
	X: 扩展功能 With extended function	



ZDRV.C10-200S2-D



ZDRV.C20-200L-DR



ZDRV.C20-200S2-DR



● ZDRV.C13-90L2



● ZDRV.C13-120S2

■ C10系列无刷驱动器特点

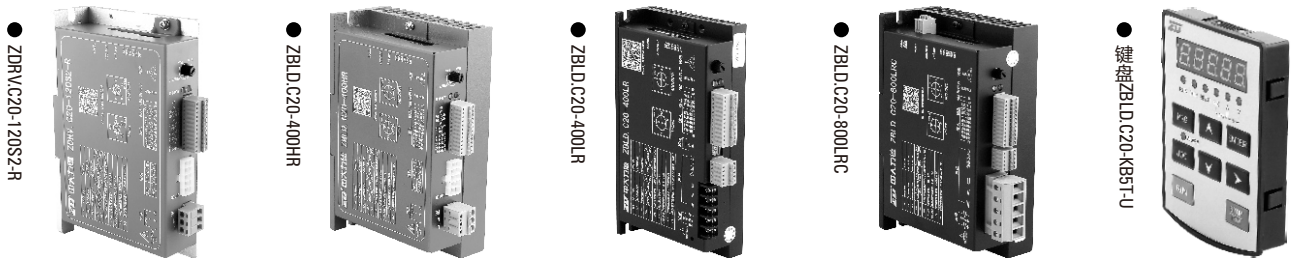
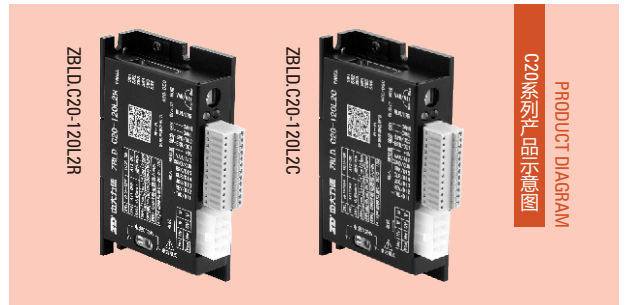
Features of C10 series brushless motor driver

- 数字显示：采用4位数码管显示：运行状态、设定速度、运行速度、故障指示。
Digital display: 4-digit digital tube display: running status, set speed, running speed, fault indication.
- 稳速运行：采用速度闭环控制（控制精度±0.5%）。
Stable speed operation: adopt speed closed-loop control (control accuracy ±0.5%).
 - 输入输出：2组NPN型数字输入接口（正转和反转）；1组开漏型数字输出接口（故障输出）。
Input and output: 2 groups of NPN type digital input interfaces (forward and reverse); 1 group of open-drain digital output interfaces (fault output).
- 速度给定：通过面板旋钮设定运行速度，方便快捷。
Speed setting: Set the running speed through the panel knob, which is convenient and quick.
- 完善的故障检测及保护功能：1、欠压、过压、过流、过载、堵转、短路、缺相、过温等多种故障检测；2、故障发生后，驱动器根据故障类型进行相应的保护动作；3、故障信息可通过数码管进行显示。
Perfect fault detection and protection functions: 1. Various fault detections such as undervoltage, overvoltage, overcurrent, overload, locked rotor, short circuit, phase loss, overtemperature, etc.; 2. After the failure occurs, the drive carries out corresponding protection actions according to the type of failure; 3. The fault information can be displayed through the digital tube.
- 扩展功能包括：扩展3组NPN型数字量输入接口、1组模拟量接口、1组485通讯控制接口。
Extended functions include: expansion of 3 sets of NPN digital input interfaces, 1 set of analog quantity interfaces, and 1 set of 485 communication control interfaces.

C20系列无刷驱动器 C20 SERIES BRUSHLESS DRIVERS

Z BLD • C20 — 120 L/H/S2 C/R
① ② ③ ④ ⑤ ⑥

①	公司名称 Company	Z: 中大力德 ZHONGDA LEADER		
②	类型 Type	BLD: 无刷电机驱动器 Brushless driver		
		DRV: 驱动器及相关产品 Driver and related products		
③	版本 Version	C20: C20系列 Series		
④	功率 Power	120	400	800
		120W	400W	800W
⑤	电压 Voltage	L: DC24V~48V (L1:12V; L2:24V; L3:36V; L4:48V)		
		H/S2: 高压 High voltage AC220V		
⑥	功能 Feature	C: CAN通信 Can communication		
		R: 带485通讯 485 communication		



■ C20系列无刷驱动器特点 Features of C20 series brushless motor driver

- 多种运行方式：开环、闭环（控制精度±0.5%）。
A variety of operating modes: open-loop, closed-loop (control accuracy ± 0.5%).
- 多种命令给定：多功能输入端子控制、通讯控制、外置键盘控制。
Multiple commands given: multi-function input terminal control, communication control, external keyboard control.
- 多种速度给定：内置旋钮、外部模拟电压（0~5/10V）或PWM（3k~10kHz）、HDI高速脉冲输入0~20KHZ频率给定、通讯给定、键盘给定、多段速度、简易PLC控制（视具体型号而定）。
Various speed settings: built-in knob, external analog voltage (0~5/10V) or PWM (3k~10kHz), HDI high-speed pulse input 0~20KHZ frequency setting, communication setting, keyboard setting, multi-speed, Simple PLC control (depending on the specific model).
- 加/减速度控制：0.3s~10s范围，可通过旋钮调节、通讯调节和键盘调节。
Acceleration/deceleration control: 0.3s~10s range, can be adjusted by knob, communication adjustment and keyboard adjustment.
- 电子刹车功能：实现快速电磁制动。
Electronic brake function: realize fast electromagnetic braking.
- 多功能输入接口：5个数字量输入，用户可通过键盘自定义为：正转、反转、点动、自由停止、电子刹车、多段速度等多种功能输入。
Multi-function input interface: 5 digital inputs, which can be customized by the user through the keyboard: forward, reverse, jog, free stop, electronic brake, multi-speed and other functional inputs.
- 多功能输出接口：2个数字量输出用户可通过键盘自定义为：运行中、故障、速度输出、过载预警、虚拟端子输出等多种功能输出。
Multi-function output interface: 2 digital outputs can be customized by the user through the keyboard: running, fault, speed output, overload warning, virtual terminal output and other functional outputs.
- 完善的故障检测及保护功能：欠压、过压、过流、过载、堵转、短路、缺相、过温等多种故障检测；故障发生后，驱动器根据故障类型进行相应的保护动作；故障信息可通过LED灯或键盘进行显示。
Perfect fault detection and protection functions: under-voltage, over-voltage, over-current, overload, locked-rotor, short-circuit, phase-loss, over-temperature and other fault detection; after a fault occurs, the driver performs corresponding protection actions according to the type of fault; Fault information can be displayed by LED lights or keyboard.

键盘配件：外引键盘可用于设置驱动器参数、读取驱动器状态，实现键盘控制、多功能输入、多功能输出、多段速度、简易PLC等功能。

Keyboard accessories: The external keyboard can be used to set parameters, read status, realize keyboard control, multi-function input, multi-function output, multi-speed, simple PLC and other functions.

C30系列无刷驱动器 C30 SERIES BRUSHLESS DRIVERS

Z DRV • C30 — 200 L/S2 B/C/R
① ② ③ ④ ⑤ ⑥

①	公司名称 Company	Z: 中大力德 ZHONGDA LEADER		
②	类型 Type	DRV: 驱动器及相关产品 Driver and related products		
③	版本 Version	C30: C30系列 Series		
④	功率 Power	120	200	400
		120W	200W	400W
⑤	电压 Voltage	L: DC24V~48V (L1:12V; L2:24V; L3:36V; L4:48V)		
		S2: 高压 High voltage AC220V		
⑥	功能 Feature	B: 带制动/刹车 With brake		
		R: 带485通讯 With 485 communication		
		C: CAN通信 With Can communication		
		D: 带数字显示 With display		



● ZDRV.C30-120S2-DR



● ZDRV.C30-400S2-DR



● ZDRV.C30-200L-BCR



● ZDRV.C30-400L-BCR



C30系列无刷驱动器特点

Features of C30 series brushless motor driver

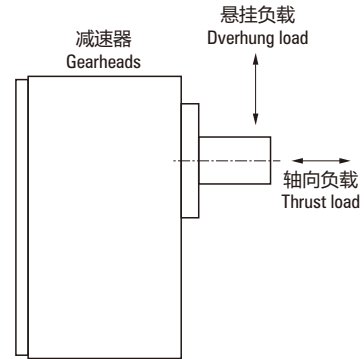
- 多种运行方式：开环、闭环（控制精度±0.5%）。
Multiple operation modes: open-loop, closed-loop (control accuracy ±0.5%).
- 多种控制方式：四象限运行、零速保持、力矩/速度模式、零速定位。
Multiple control modes: four-quadrant operation, zero-speed hold, torque/speed mode, zero-speed positioning.
- 多种命令给定：多功能输入端子控制（支持NPN、PNP输入）；通讯控制；外置键盘控制。
A variety of command given: multi-function input terminal control (support NPN, PNP input); communication control; external keyboard control.
- 多种速度给定：内置旋钮、外部模拟电压（0~5/10V）或PWM（3k~10kHz）、HDI高速脉冲输入0~20KHZ频率给定、通讯给定、键盘给定、多段速度、简易PLC控制（视具体型号而定）。
Various speed settings: built-in knob, external analog voltage (0~5/10V) or PWM (3k~10kHz), HDI high-speed pulse input 0~20KHZ frequency setting, communication setting, keyboard setting, multi-speed, Simple PLC control (depending on the specific model).
- 加/减速度控制：0.3s~10s可通过通讯调节和键盘调节。
Acceleration/deceleration control: 0.3s~10s can be adjusted by communication and keyboard.
- 电子刹车功能：实现快速电磁制动，可外接能耗电阻制动。
Electronic brake function: realize fast electromagnetic braking, and external energy consumption resistance braking can be realized.
- 多功能输入接口：5个数字量输入（支持NPN和PNP）用户可通过键盘自定义为：正转、反转、点动、自由停止、电子刹车、多段速度等多种功能输入。
Multi-function input interface: 5 digital inputs (supports NPN and PNP), which can be customized by the user through the keyboard: forward, reverse, jog, free stop, electronic brake, multi-speed and other functional inputs.
- 多功能输出接口：2个数字量输出用户可通过键盘自定义为：运行中、故障、速度输出、过载预警、虚拟端子输出等多种功能输出。
Multi-function output interface: 2 digital outputs can be customized by the user through the keyboard: running, fault, speed output, overload warning, virtual terminal output and other functional outputs.
- 完善的故障检测及保护功能：欠压、过压、过流、过载、堵转、短路、缺相等多种故障检测；故障发生后，驱动器根据故障类型进行相应的保护动作；故障信息可通过LED灯或键盘进行显示。
Perfect fault detection and protection functions: under-voltage, over-voltage, over-current, overload, locked rotor, short-circuit, lack of etc. fault detection; after a fault occurs, the driver will perform corresponding protection actions according to the type of fault; fault information can be passed through LED lights or keyboard display.

通用规格 COMMON SPECIFICATIONS

■ 电动机的容许悬挂负载·容许轴向负载 Permissible overhung load and permissible thrust load of motor

容许悬挂负载 Permissible overhung load

电动机 Motor		容许悬挂负载 Permissible overhung load	
安装尺寸 Motor frame size □(mm)	输出轴直径 Output shaft diameter □(mm)	距轴端的距离 Distance from shaft end	
		10mm	20mm
42	5	40	-
60	6	50	110
70	6	40	60
80	8	90	140
	10	110	120
90	10	140	200
	12	240	270
100	14	320	350



- 容许轴向负载。
- 请尽量不要施加轴向负载。即使不得已的情况下，请将轴向负载控制在电动机重量的一半以下。
- Permissible thrust load.
- Avoid thrust loads as much as possible. If thrust load is unavoidable, keep it to half or less of the motor mass.

■ 电动机的容许悬挂负载·容许轴向负载 Allowable suspension load of motor • Allowable axial load

型号 Model	减速比 Gear ratio	最大容许转矩 Maximum permissible torque N.m	容许悬挂负载 Permissible overhung load N		容许轴向 Permissible thrust load N
			距轴端10mm 10mm from shaft end	距轴端20mm 20mm from shaft end	
2GN□K	3~18	3.0	50	80	30
	25~200		120	180	
4GN□K	3~18	8.0	100	150	50
	25~200		200	300	
5GN□K	3~18	10	250	350	100
	25~200		300	450	
5GU□KB 5GU□K	3~9	20	400	500	150
	12.5~18		450	600	
	25~200		500	700	
6GU□K	3~200	40	1100	1500	300

■ 减速器的容许负载惯性惯量J Permissible load inertia for gearhead J

- 连接到减速器上的负载惯性惯量 (J) 较大的情况下，在频繁的间歇运转的起动瞬间 (或以电磁制动及制动器进行急停时) 会出现瞬时较大的转矩。该冲击负载过大会导致减速器及电动机损坏。
- 下面列出了电动机轴上的容许负载惯性惯量的值，使用时请控制在此数值下。三相电动机的容许负载惯性惯量是指从一旦停止运转后再进行反转时的数值。
- 请利用下面的公式计算减速器输出轴上的容许惯性惯量 (J)。
- 通过带电磁制动电动机、制动器及速度控制电动机的瞬时停止来运转容许负载惯性惯量时的使用寿命为200万次。
- When a high load inertia (J) is connected to a gearhead, high torque is exerted instantaneously on the gearhead when starting up in frequent, discontinuous operations (or when stopped by an electromagnetic brake, or when stopped instantaneously by a brake pack). Excessive impact loads can cause the gearhead or motor damage.
- The table below gives values for permissible load inertia on the motor shaft. Use the motor and gearhead within these parameters. The permissible inertial load value shown for three-phase motors is the value when reversing after a stop.
- The permissible load inertia (J) on the gearhead output shaft is calculated with the following equation.
- The life of the gearhead when operating at the permissible inertial load with instantaneous stops of the motors with electromagnetic brakes, brake packs or speed control motors is at least 2 million cycles.

■ 减速器输出轴上的容许负载惯性惯量 Permissible load inertia for gear head output shaft

减速比1/3 ~ 1/50 JG=JM×1
 减速比1/60以上时 JG=JM×2500

JG: 减速器输出轴容许负载惯性惯量J (×10kg.m平方)
 JM: 减速器输出轴容许负载惯性惯量J (×10kg.m平方)
 I: 减速比 (例: 减速比1/3时 i=3)

Gear ratio 1/3 ~ 1/50 JG=JM×1
 Gear ratio 1/60 or high JG=JM×2500

JG: Permissible load inertia gearhead output shaft J (×10kg.m²)
 JM: Permissible load inertia at the motor shaft J (×10kg.m²)
 I: Gear ratio (Example: i=3 means the gear ratio or 1/3)

■ 电动机轴上的容许负载惯性惯量 Permissible load inertia at the motor shaft

电动机电源相数 No. of phase	安装尺寸 Motor frame size	输出功率 Output power	电动机轴上的容许负载惯性惯量 Permissible load inertia at the motor shaft	
			J(×10 ⁻⁴ kg.m ²)	GD ² (kg.m ²)
单相 Single-phase	42	1W, 3W	0.016	0.07
	60	3W※, 6W	0.062	0.25
	70	6W※, 15W	0.14	0.52
	80	10W※, 25W	0.31	1.2
	90	20W※, 40W	0.75	3
		60W	1.1	4.6
		90W	1.1	4.6
	100	120W	1.1	4.6
		120W	2	8
		140W	2	8
180W		2	8	
三相 Three-phase	60	6W	0.062	0.25
	70	15W	0.14	0.52
	80	25W	0.31	1.2
	90	40W	0.75	3
		60W	1.1	4.6
		90W	1.1	4.6
	100	120W	1.1	4.6
		120W	2	8
		140W	2	8
		180W	2	8
直流 DC Power	60	6W, 10W, 15W	0.062	0.25
	70	15W	0.14	0.52
	80	25W, 40W	0.31	1.2
	90	40W	0.75	3
		60W	1.1	4.6
		90W	1.1	4.6
	100	120W	1.1	4.6
		250W	2	8

※是指转矩电动机的输出功率 ※Output power for torque motors

■ 减速器容许转矩的计算 The calculation for the permissible torque of gearhead

部分机型并未列在容许转矩表上, 需要时可按以下公式计算。

Permissible torque for some products are omitted. In that case, use the equation below to calculate the permissible torque.

容许转矩 Permissible torque $TG = TM \times i \times \eta$

TG: 减速器容许转矩 Permissible torque of gearhead

TM: 电动机转矩 Motor torque

i: 减速器减速比 Gear ratio gearhead

η : 减速器传动效率 Gearhead efficiency

■ 减速器传动效率 Gearhead efficiency

型号 Model	3	3.6	5	6	7.5	9	12.5	15	18	25	30	36	50	60	75	90	100	120	150	180	200	
2GN□K	81%										73%		66%									
4GN□K 4GN□RC/RT	81%										73%		66%									
5GN□K	81%										73%		66%									
5GU□KB 5GU□RC/RT	81%										73%		66%									
6GU□K 6GU□RC/RT	81%										73%		66%									

型号 Model	5	10	15	20	30	50	100	200
2GN□L	83%	89%						
4GN□L	74%	89%						
5GU□L	74%	89%						
6GU□L	74%	89%						

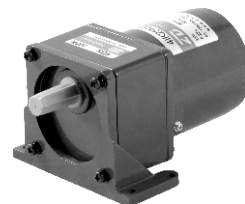
选购配件 ACCESSORIES

电动机·减速器用安装底座 Motor • Gearhead bracket brackets

便于安装固定电动机、减速器的专用安装底座。为可对应大功率电动机、减速器的高强度型产品。安装底座上钻有螺孔，请用减速器附属的螺丝来组合电动机与减速器。安装电动机单体时，请另用安装用螺丝。

The dedicated mounting bracket is designed for easy installation and fixation of electric motors and reducers. It is a high-strength product suitable for large power electric motors and reducers.

The mounting bracket is pre-drilled with holes; please use the screws provided with the reducer to assemble the electric motor and reducer together. When installing the electric motor alone, please use separate mounting screws.

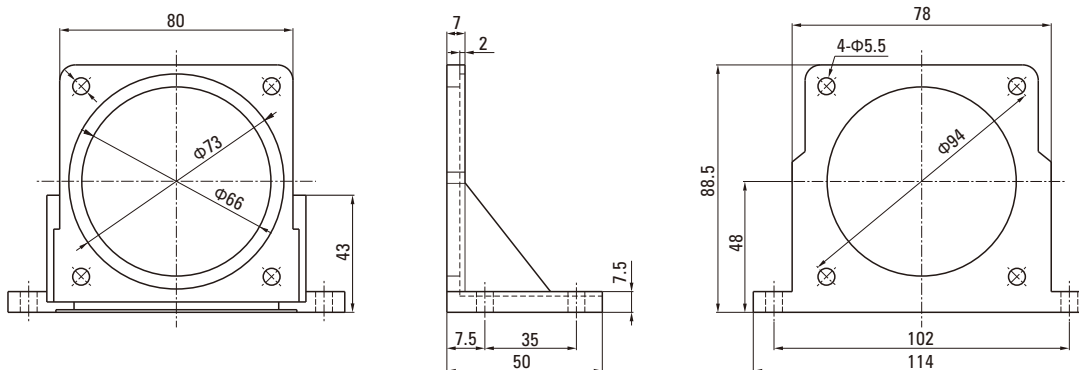


安装尺寸80mm用 Motor frame size: 80mm

型号 Model: ZD4M5 重量 Weight: 200g 材质 Material: 铝合金 Aluminum

适用产品 Applicable products: 4GN 减速器 4GN Gearhead

安装尺寸 □80mm 电动机 Motor with the frame size of □80mm

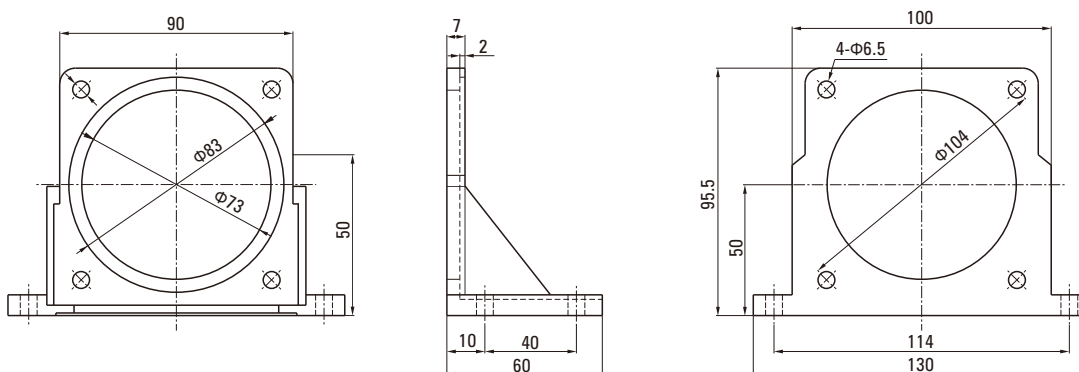


安装尺寸90mm用 Motor frame size: 90mm

型号 Model: ZD5M5 重量 Weight: 270g 材质 Material: 铝合金 Aluminum

适用产品 Applicable products: 5GN、5GU 减速器 5GN、5GU Gearhead

安装尺寸 □90mm 电动机 Motor with the frame size of □90mm



CATALOGUE



精密谐波齿轮减速器
PRECISION HARMONIC REDUCER

ZD 中大力德



摆线针轮精密减速器
CYCLOIDAL PIN WHEEL PRECISION REDUCER

ZD 中大力德



传动行星减速电机
TRANSMISSION PLANETARY GEAR MOTOR

ZD 中大力德



ZB/ZBR/ZE/ZER/HD/HDR系列
高精度行星减速机
HIGH PRECISION PLANETARY GEAR BOX

ZD 中大力德



交、直流直角轴减速电动机
AC & DC RIGHT ANGLE GEAR MOTOR

ZD 中大力德



小型交流齿轮减速电机
SMALL AC GEAR MOTOR

ZD 中大力德

DC BRUSHLESS GEAR MOTOR CATALOGUE

宁波中大力德智能传动股份有限公司
NINGBO ZHONGDA LEADER INTELLIGENT TRANSMISSION CO.,LTD.
地址：浙江省慈溪高新技术产业开发区新兴一路185号
Add: NO.185 1st xinxing road, new industrial zone, cixi city, zhejiang, china.

宁波中大创远精密传动设备有限公司
ZHONGDA CHUANGYUAN PRECISE TRANSMISSION EQUIPMENT CO.,LTD.
地址：浙江省慈溪市杭州湾新区金慈路159号
Add: No.159 jinci road, hangzhou bay district, cixi city, zhejiang, china.

国内贸易服务：
电话：86-574-63537377
传真：86-574-63534879
E-mail: china@zd-motor.com

国际贸易服务：
International trade department:
Tel: 86-574-63537171 Fax: 86-574-63534879
E-mail: sales@zd-motor.com
Web: www.zddriver.com
www.zd-motor.com

更多详情，敬请浏览：
www.zd-motor.com